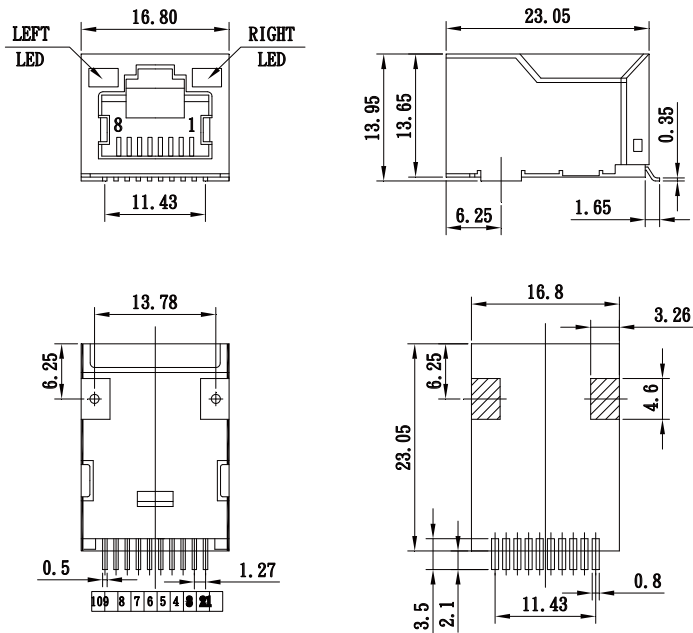


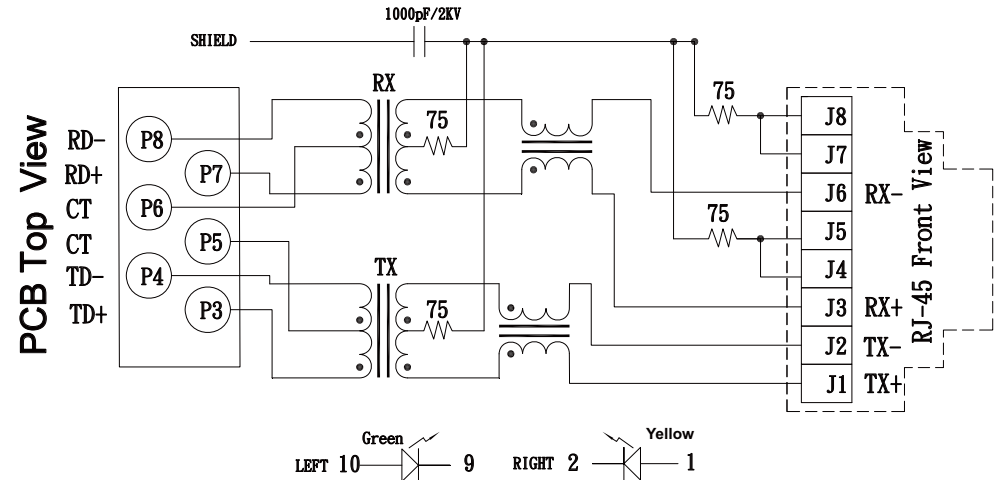
一、Mechanical Dimensions



PC Board Layout
Component Side Shown

Unit: mm Unless otherwise specified, all tolerances are ± 0.25

二、Schematics



三、ELECTRICAL SPECIFICATIONS@25°C:

1. Turn Ratio($\pm 5\%$):1CT:1CT
2. Inductance(100KHz/0.1V@8mA):350uH MIN
3. Insertion Loss (dB MAX): -1.0dB(1-65MHz)
4. Return Loss (dB MIN): -20dB(1-10MHz),-16dB(30MHz),-12dB(60-80MHz)
5. Cross talk(dB MIN): -40dB(1-10MHz),-35dB(30-60MHz),-30dB(60-100MHz)
6. CMR (dB MIN): -30dB(1-50MHz), -20dB(50-130MHz)
7. HI-POT(Pri to Sec):1500Vrms/0.5mA/60Sec 1650Vrms/0.5mA/2Sec
8. Operating Temperature:-40°C TO +85°C
9. RoHS compliance:YES

RoHS Compliant

TOLERANCES ARE

MORETHANALL
PCB CONNECTORS
Cable ASSEMBLIES

DRAWING BY CY

CHECKED BY GENIUS

UNIT / mm SCALE 1 : 1

DATE

SIZE A4

X, \pm

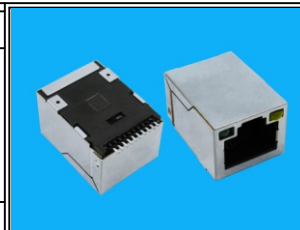
.X, \pm

.XX, \pm

.XXX, \pm

ANG, \pm

PPOJECTION



ORDER INFORMATION

MJWF13T56UL-KX06NX1GY-0808

SERIES

BLACK
NON EAR
06u" GOLD

8P8C
LED1 / LED2
GREEN / YELLOW
NON POST
INNER EAR

煜倫股份有限公司

www.morethanall.com

DESCRIPTION: