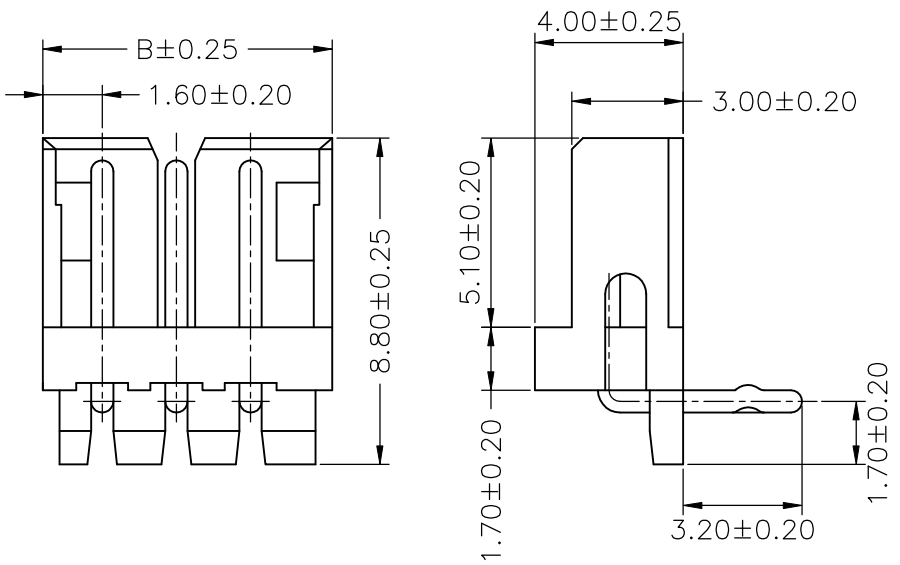
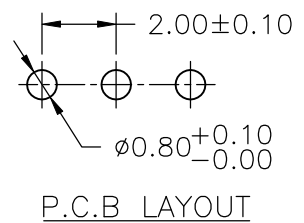
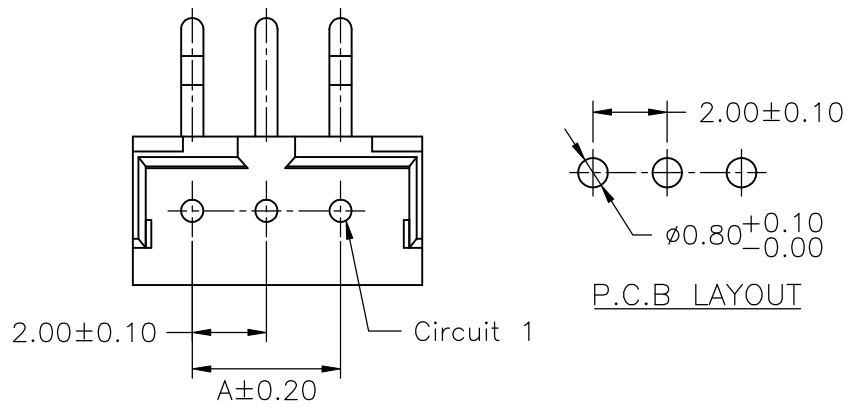


SPECIFICATIONS
 Current Rating: 1A AC,DC
 Voltage Rating: 100V AC,DC
 Temperature Range: -25°C ~ +85°C
 Contact Resistance: 20mΩ Max.
 Insulation Resistance: 1000MΩ Min.
 Withstanding Voltage: 800V AC/minute
 Pin Material: Brass/Tin-plated
 Material: Nylon 66,UL94V-0



CT-R-xx-LF
 LEADFREE
RoHS Compliant

Ordering Information & Dimensions

PART NO.	Dimensions	
	A	B
CT-R-02	2.00	5.96
CT-R-03	4.00	7.96
CT-R-04	6.00	9.96
CT-R-05	8.00	11.96
CT-R-06	10.00	13.96
CT-R-07	12.00	15.96
CT-R-08	14.00	17.96
CT-R-09	16.00	19.96
CT-R-10	18.00	21.96
CT-R-11	20.00	23.96
CT-R-12	22.00	25.96
CT-R-13	24.00	27.96
CT-R-14	26.00	29.96
CT-R-15	28.00	31.96



煜倫股份有限公司

PART NO. CT-R-xx		CHECKED BY CY		TOLERANCES ARE .X ± 0.2 .XX ± .XXX ± AWG	DESCRIP TION: 2.00mm PITCH 90° WAFER
DWG NO. CT-R-xx		DRAWING BY			
FILE NO.		PROJECTION		AREA	REVISIONS
UNIT / mm	SCALE 1:1			HK	DATE