

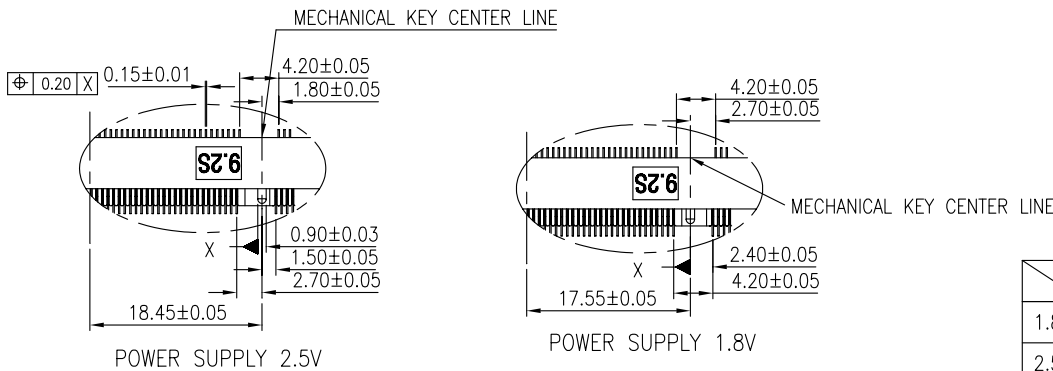
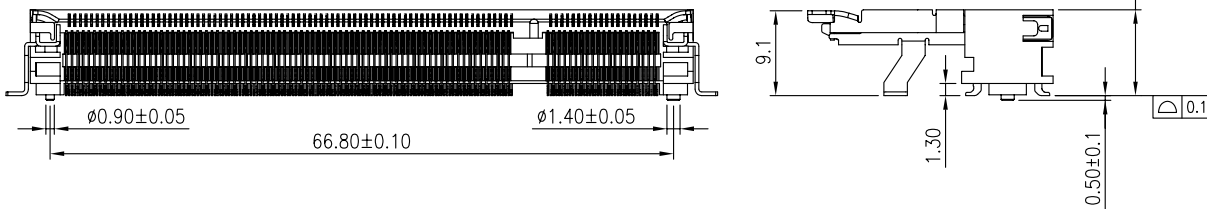
NOTES:

1. MATERIAL:

- 1.1 HOUSING: LCP WITH 30% G.F. UL 94V-0
- 1.2 CONTACT: BRASS
- 1.3 LATCH: STAINLESS

2. FINISH:

- 2.1 CONTACT: GOLD PLATED ON CONTACT & SOLDERING END OVER 50u" MIN. NICKEL UNDER-PLATING.
- 2.2 LATCH: 60~100u" SN ONLY (MATTE) PLATING OVER 50u" MIN. NICKEL UNDERPLATING



	C±0.17	D±0.17
1.8V	17.67	52.77
2.5V	16.77	53.67

SDM6-W92Vxx-40A6-LF

LEADFREE

18:1.8V

25:2.5V

RoHS Compliant

DETAIL A VOLTAGE OPTION

M MORE THAN ALL
CONNECTORS
ASSEMBLIES

PART NO. SDM6-W92Vxx-40A6

DWG NO. SDM6-W92Vxx-40A6

CHECKED BY CY

TOLERANCES ARE

DESCRIPTION:

DDR S.O.DIMM SOCKET 0.6MM PITCH,
200 PIN, 9.2 MM HEIGHT,
STANDARD B-TYPE (RoHS)

煜倫股份有限公司

FILE NO.

DRAWING BY

.X ± 0.2
.XX ±
.XXX ±
AWG

AREA

REVISIONS

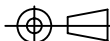
HK

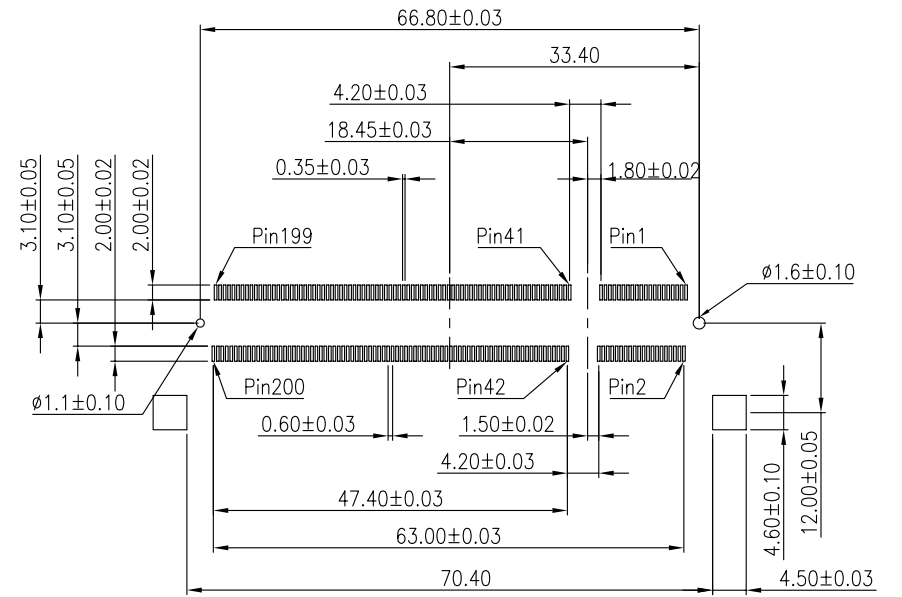
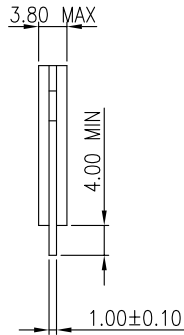
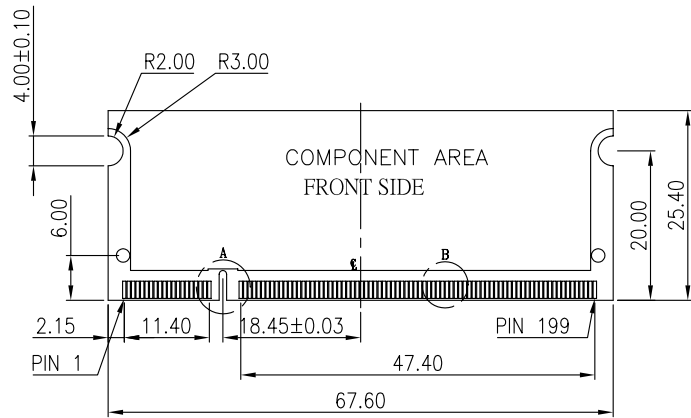
DATE

UNIT / mm

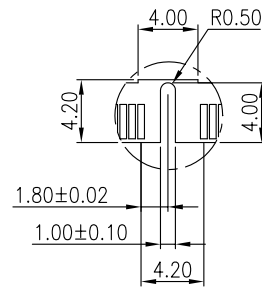
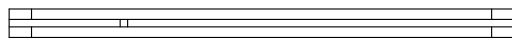
SCALE 1:1

PROJECTION

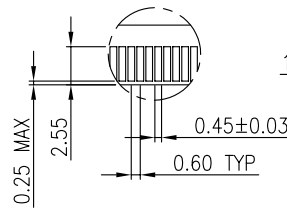
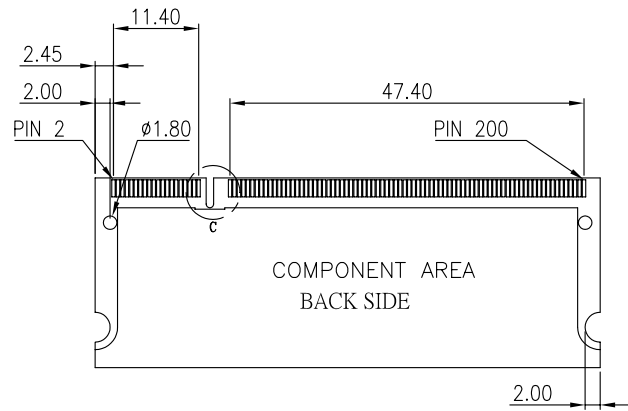




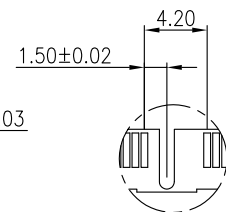
RECOMMENDED P.C.BOARD LAYOUT.



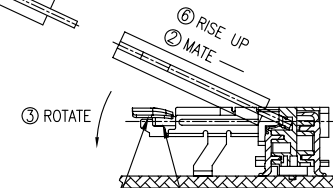
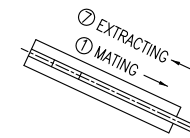
DETAIL A



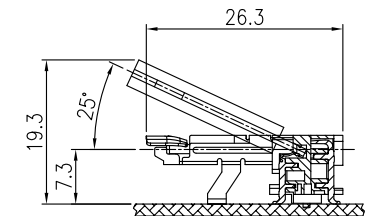
DETAIL B



DETAIL C



HOW TO MATE AND UNMATE
 ①~④ MATE
 ⑤~⑦ UNMATE



RECOMMENDED MODULE CONFIGURATION.

MORETHANALL
 CONNECTORS
 ASSEMBLIES

PART NO. SDM6-W92Vxx-40A6

DWG NO. SDM6-W92Vxx-40A6

CHECKED BY CY

TOLERANCES ARE

DESCRIP TION:

DDR S.O.DIMM SOCKET 0.6MM PITCH,
 200 PIN, 9.2 MM HEIGHT,
 STANDARD B-TYPE (RoHS)

FILE NO.

DRAWING BY

.X ± 0.2
 .XX ±
 .XXX ±
 AWG

AREA

REVISIONS

HK

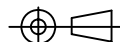
DATE

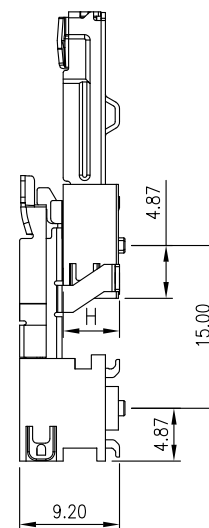
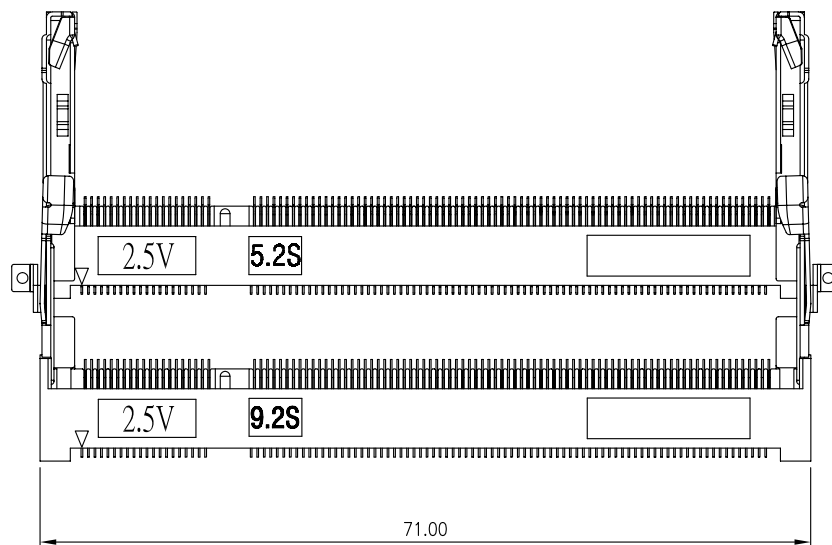
煜倫股份有限公司

UNIT / mm

SCALE 1:1

PROJECTION





H=4.0MM (USING 4.0MM HEIGHT CONNECTOR)
H=5.2MM (USING 5.2MM HEIGHT CONNECTOR)

COMBINATION DIMENSION FOR 4.0H OR 5.2H CONNECTOR

M MORETHANALL
CONNECTORS
ASSEMBLIES

PART NO. SDM6-W92Vxx-40A6

DWG NO. SDM6-W92Vxx-40A6

CHECKED BY CY

TOLERANCES ARE

DESCRIP TION:

DDR S.O.DIMM SOCKET 0.6MM PITCH,
200 PIN, 9.2 MM HEIGHT,
STANDARD B-TYPE (RoHS)

煜倫股份有限公司

FILE NO.

DRAWING BY

.X ± 0.2
.XX ±
.XXX ±
AWG

AREA

REVISIONS

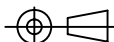
HK

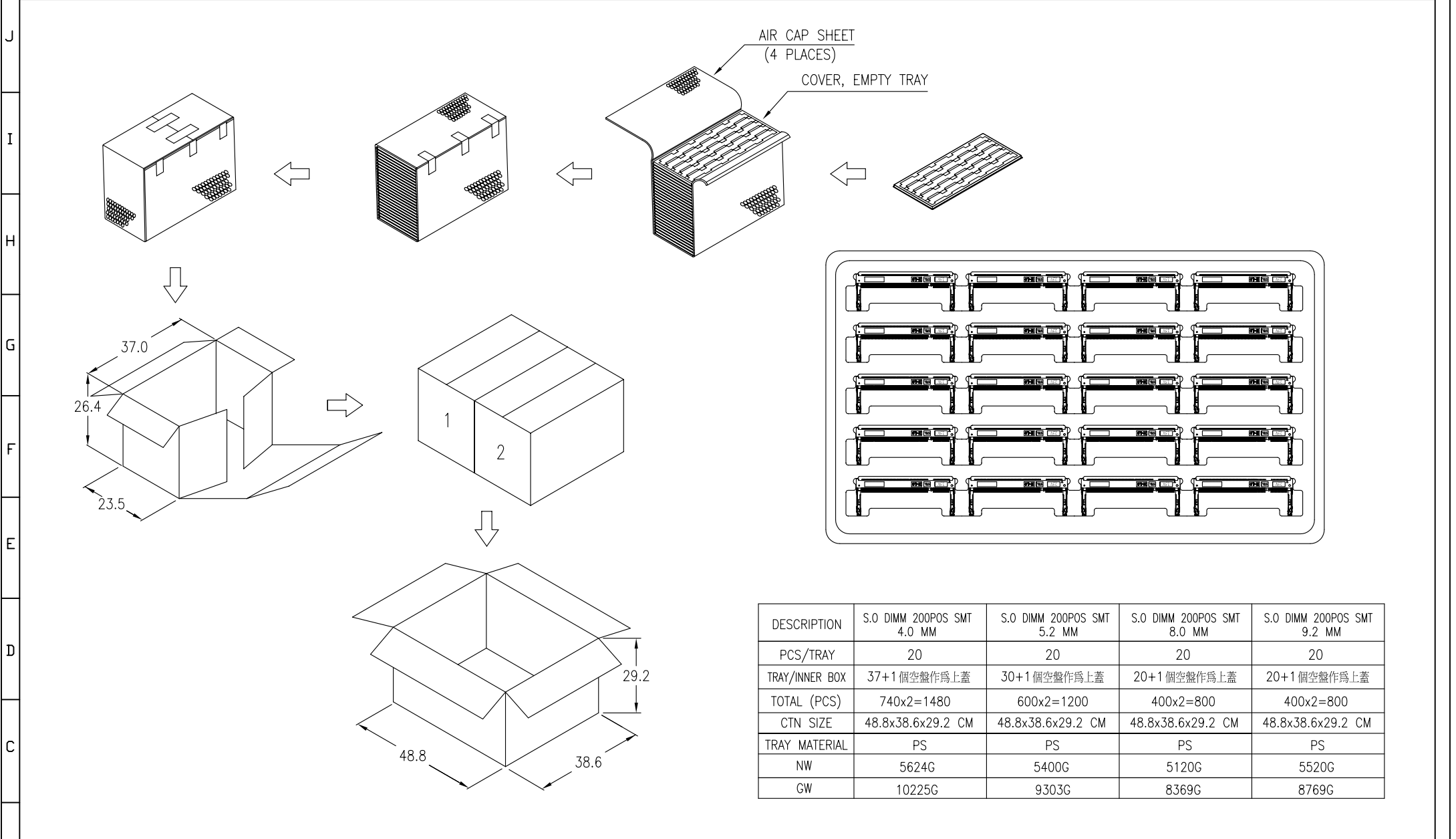
DATE

UNIT / mm

SCALE 1:1

PROJECTION





 MORETHANALL CONNECTORS ASSEMBLIES	PART NO. SDM6-W92Vxx-40A6		TOLERANCES ARE .X ± 0.2 .XX ± .XXX ± AWG	DESCRIPTION: DDR 200 POS SMT 4.0MM,5.2MM,8.0MM,9.2MM PACKAGING				
	DWG NO. SDM6-W92Vxx-40A6							CHECKED BY CY
煜倫股份有限公司	FILE NO.		DRAWING BY		AREA	REVISIONS	HK	DATE
	UNIT / mm	SCALE 1:1	PROJECTION					