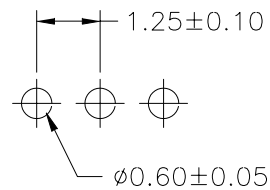
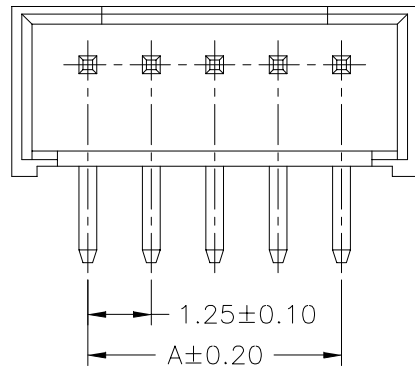
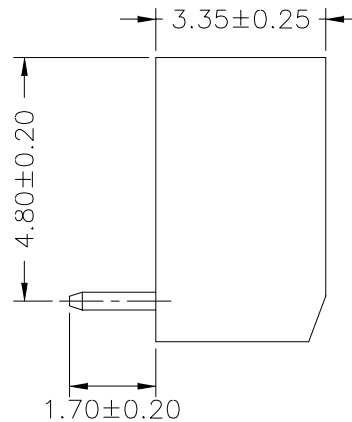
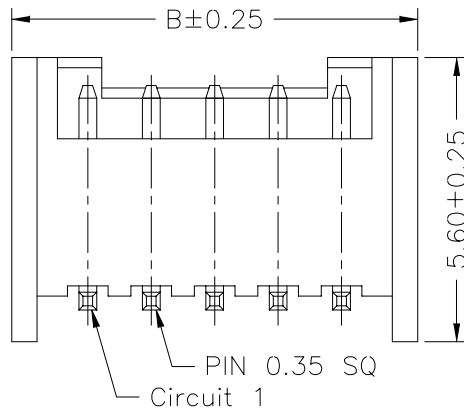


**SPECIFICATIONS**  
 Current Rating: 1A AC,DC  
 Voltage Rating: 100V AC,DC  
 Temperature Range: -25°C ~ +85°C  
 Contact Resistance: 20mΩ Max.  
 Insulation Resistance: 500MΩ Min.  
 Withstanding Voltage: 500V AC/minute  
 Pin Material: Brass/Tin-plated  
 Material: Nylon 66,UL94V-0



P.C.B. LAYOUT



Ordering Information & Dimensions

PART NO.	Dimensions	
	A	B
<b>ILZ-R-02</b>	1.25	4.25
<b>ILZ-R-03</b>	2.50	5.50
<b>ILZ-R-04</b>	3.75	6.75
<b>ILZ-R-05</b>	5.00	8.00
<b>ILZ-R-06</b>	6.25	9.25
<b>ILZ-R-07</b>	7.50	10.50
<b>ILZ-R-08</b>	8.75	11.75
<b>ILZ-R-09</b>	10.00	13.00
<b>ILZ-R-10</b>	11.25	14.25
<b>ILZ-R-11</b>	12.50	15.50
<b>ILZ-R-12</b>	13.75	16.75
<b>ILZ-R-13</b>	15.00	18.00
<b>ILZ-R-14</b>	16.25	19.25
<b>ILZ-R-15</b>	17.50	20.50



PART NO. **ILZ-R-xx**

DWG NO. **ILZ-R-xx**

FILE NO.

UNIT / mm

SCALE 1:1

CHECKED BY CY

DRAWING BY

PROJECTION

TOLERANCES ARE

.X ± 0.2  
.XX ±  
.XXX ±  
AWG

DESCRIPTION:	<b>1.25mm PITCH 90° WAFER</b>			
AREA	REVISIONS	HK	DATE	

煜倫股份有限公司