

pin	A	B	C	D
* 4	11.06	3.00	9.06	5.10
* 5	12.06	4.00	10.06	6.10
* 6	13.06	5.00	11.06	7.10
* 7	14.06	6.00	12.06	8.10
* 8	15.06	7.00	13.06	9.10
* 9	16.06	8.00	14.06	10.10
* 10	17.06	9.00	15.06	11.10
* 11	18.06	10.00	16.06	12.10
* 12	19.06	11.00	17.06	13.10
* 13	20.06	12.00	18.06	14.10
* 14	21.06	13.00	19.06	15.10
* 15	22.06	14.00	20.06	16.10
* 16	23.06	15.00	21.06	17.10
* 17	24.06	16.00	22.06	18.10
* 18	25.06	17.00	23.06	19.10
19	26.06	18.00	24.06	20.10
* 20	27.06	19.00	25.06	21.10
* 21	28.06	20.00	26.06	22.10
* 22	29.06	21.00	27.06	23.10
* 23	30.06	22.00	28.06	24.10
* 24	31.06	23.00	29.06	25.10
* 25	32.06	24.00	30.06	26.10
* 26	33.06	25.00	31.06	27.10
27	34.06	26.00	32.06	28.10
* 28	35.06	27.00	33.06	29.10
29	36.06	28.00	34.06	30.10
* 30	37.06	29.00	35.06	31.10

pin	A	B	C	D
31	38.06	30.00	36.06	32.10
* 32	39.06	31.00	37.06	33.10
33	40.06	32.00	38.06	34.10
* 34	41.06	33.00	39.06	35.10
35	42.06	34.00	40.06	36.10

* 記號表示已開模

NOTE
 1. MATERIALS: HOUSING: PA6T E630N WHITE UL94V-0
 COVER: PPS FZ-1140-D5 BLACK UL94V-0
 CONTACT: PHOSPHOR BRONZE C5191
 LATCH: BRASS C2680
 Ni PLATE : OVER ALL
 Tin PLATE : OVER ALL

RoHS Compliant

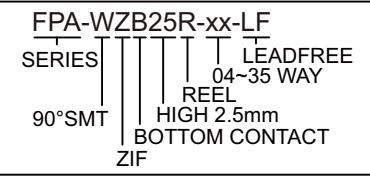
TOLERANCES ARE

www.morethanall.com

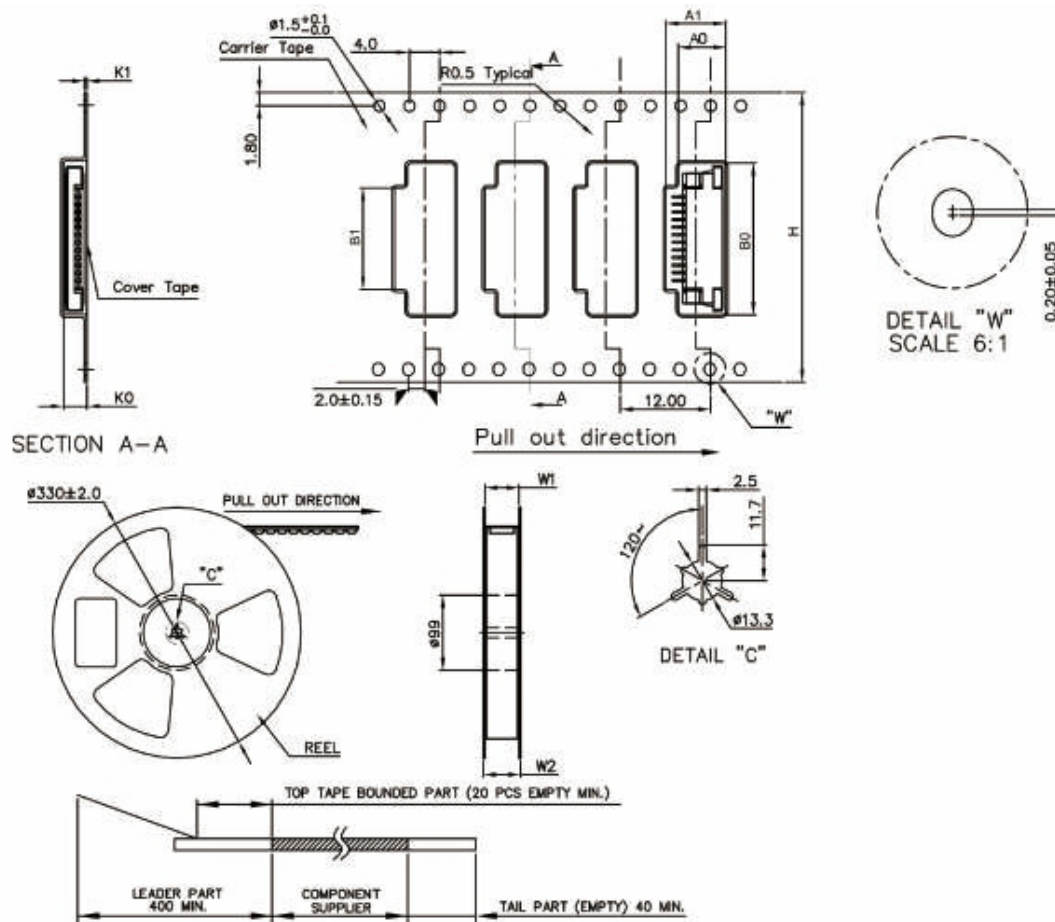
DRAWING BY CY		X. ± 0.10 .X ± 0.01 .XX ± 0.05 .XXX ± 0.02 ANG ±
CHECKED BY GENIUS		
UNIT / mm	SCALE 1 : 1	
DATE		
SIZE A4	PJECTION	



ORDER INFORMATION



DESCRIPTION:



PIN位	A0	A1	B0	B1	K0	K1	H	W1	W2
4P			12.0	5.4					
5P			13.0	6.4					
6P			14.0	7.4			24	24.5	30
7P			15.0	8.4					
8P			16.0	9.4					
9P			17.0	10.4					
10P			18.0	11.4					
11P			19.0	12.4			32	32.5	38
12P			20.0	13.4					
13P			21.0	14.4					
14P			22.0	15.4					
15P			23.0	16.4					
16P			24.0	17.4					
17P			25.0	18.4					
18P			26.0	19.4					
19P	6.3	8.3	27.0	20.4	3.1	0.35	44	44.5	50
20P			28.0	21.4					
21P			29.0	22.4					
22P			30.0	23.4					
23P			31.0	24.4					
24P			32.0	25.4					
25P			33.0	26.4					
26P			34.0	27.4					
27P			35.0	28.4					
28P			36.0	29.4					
29P			37.0	30.4					
30P			38.0	31.4			56	56.5	62
31P			39.0	32.4					
32P			40.0	33.4					
33P			41.0	34.4					
34P			42.0	35.4					

1. 产品方向与图示要求保持一致;
2. 全系列载带均为双边定位孔,每捲数量:1500PCS
3. 检查胶膜两边是否完全粘贴,是否平整,胶膜与载带贴合双边是否一致,
4. 特别注意胶膜双边不可有卷皱,偏心现象.
5. 检查载带是否有破裂,变形,弯曲现象.
6. 间隔2小时测试剥离力,剥离力大小范围80-150 gf.

RoHS Compliant

TOLERANCES ARE

MORETHANALL
PCB CONNECTORS
Cable ASSEMBLIES

DRAWING BY CY

X. ± 0.10

CHECKED BY GENIUS

.X ± 0.01

UNIT / mm

SCALE 1 : 1

.XX ± 0.05

.XXX ± 0.02

DATE

ANG ±

SIZE A4

PJECTION



ORDER INFORMATION

FPA-WZB25R-xx-LF
SERIES | | | | LEADFREE
| | | | 04~35 WAY
| | | | REEL
90°SMT | | | | HIGH 2.5mm
| | | | BOTTOM CONTACT
ZIF

煜倫股份有限公司

www.morethanall.com

DESCRIPTION: