

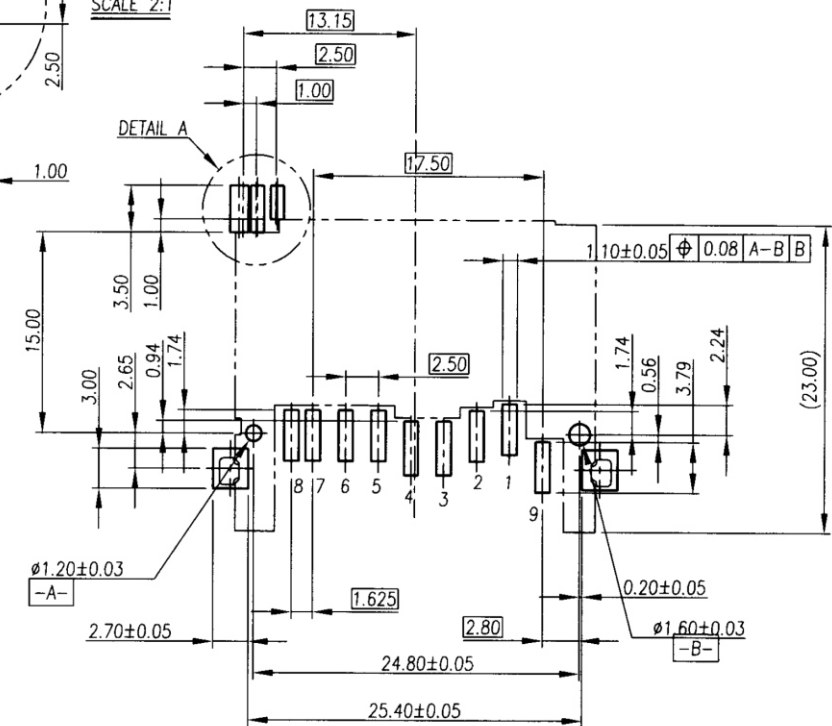
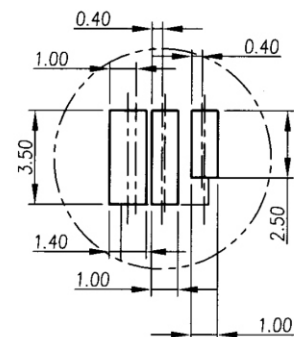
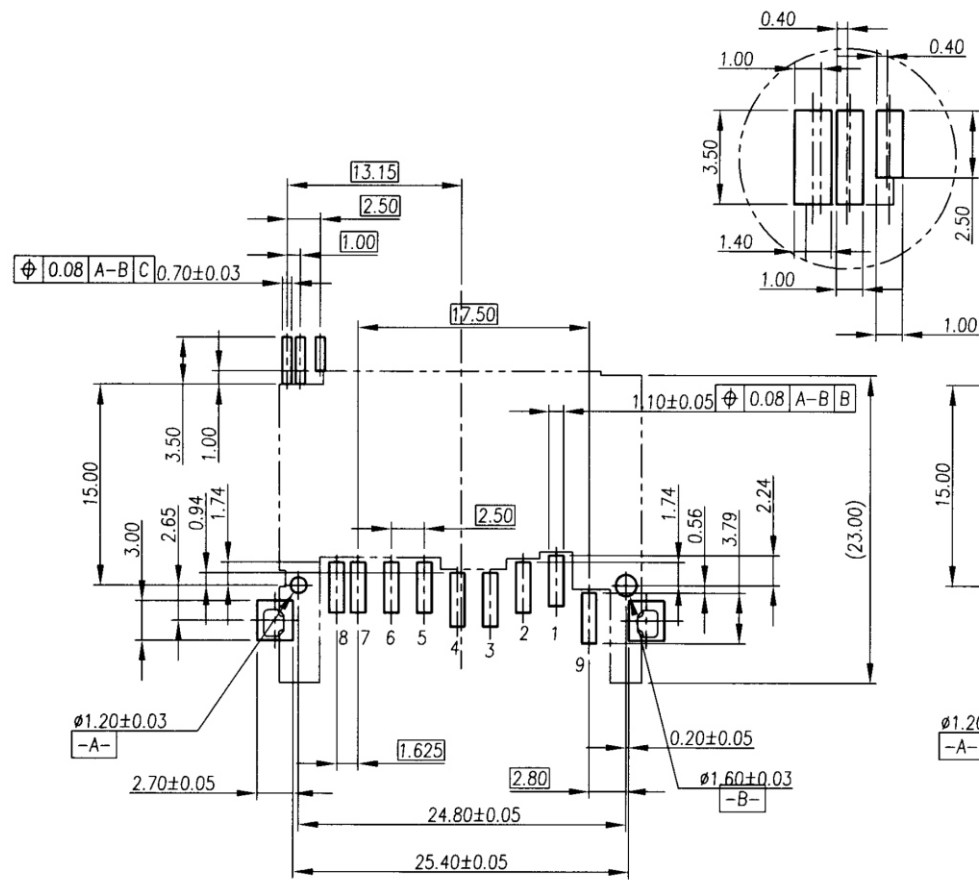
NOTE:SD AND MMC FULL COMPATIBLE

SDC-W24XCB-09-LF
LEADFREE
RoHS Compliant



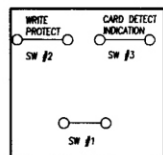
煜倫股份有限公司

PART NO. SDC-W24XCB-09		CHECKED BY CY		TOLERANCES ARE .X ± 0.2 .XX ± .XXX ± AWG	DESCRIPTION:			
DWG NO. SDC-W24XCB-09		DRAWING BY						
FILE NO.		PROJECTION		AREA	REVISIONS	HK	DATE	
UNIT / mm	SCALE 1:1							

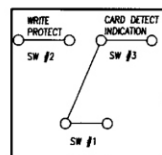


PC BOARD LAYOUT COMPONENT SIDE

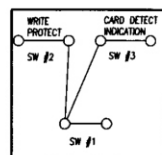
PC BOARD LAYOUT COMPONENT SIDE



WITHOUT CARD



CARD INSERTED
WRITE PROTECT : LOCK



CARD INSERTED
WRITE PROTECT : UNLOCK

PIN	NAME
1	CD/DAT3
2	CMD/DI
3	VSS1
4	VDD
5	CLK/SCLK
6	VSS2
7	DAT0
8	DAT1
9	DAT2

MORETHANALL
CONNECTORS
ASSEMBLIES

PART NO. SDC-W24XCB-09

DWG NO. SDC-W24XCB-09

FILE NO.

UNIT / mm

SCALE 1:1

CHECKED BY CY

DRAWING BY

PROJECTION

TOLERANCES ARE

.X ± 0.2
.XX ±
.XXX ±
AWG

DESCRIPTION:

AREA

REVISIONS

HK

DATE

煜倫股份有限公司