

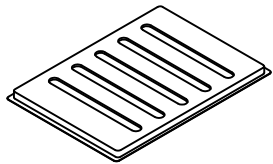
- NOTES:
1. HOUSING: NYLON UL 94V-0 (NATURE WHITE)
 2. SHELL: PHOSPHOR BRONZE & STAINLESS STEEL
 3. LATCH: STAINLESS STEEL
 4. PIN: COPPER ALLOY, NICKEL PLATED

FIX-HL-30- $\frac{LF}{T}$
LEADFREE
RoHS Compliant

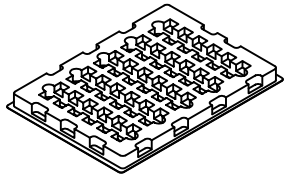
MORETHANALL
CONNECTORS
ASSEMBLIES

煜倫股份有限公司

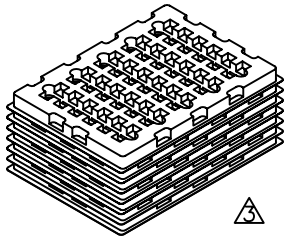
PART NO. FIX-HL-30		CHECKED BY CY	TOLERANCES ARE .X ± 0.2 .XX ± .XXX ± AWG	DESCRIPTION: LCD I/O CONNECTOR 1.00mm 30POS TYPE HOUSING	AREA	REVISIONS	HK	DATE
DWG NO. FIX-HL-30								
FILE NO.		PROJECTION						
UNIT / mm	SCALE 1:1							



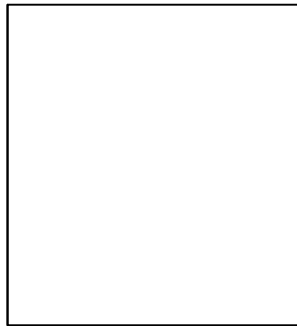
TR-002-1



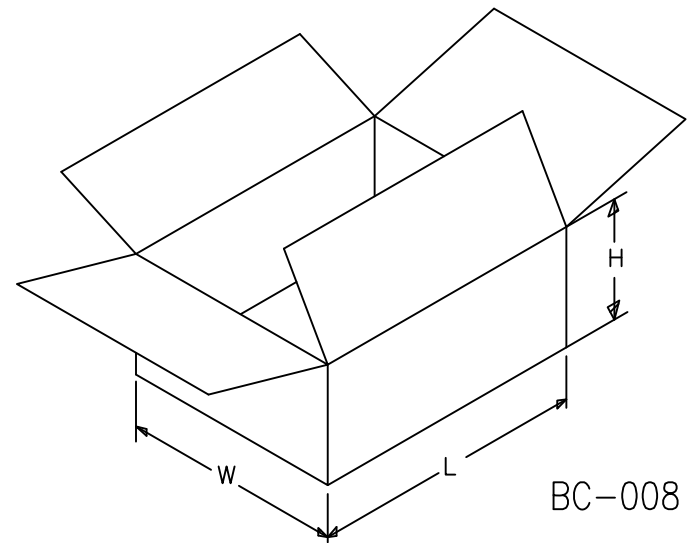
TOP TRAY CASE NO SAMPLE



TR-005
10 LAYER



BG-001



BC-008

PACKING MATERIAL

PART NAME	PART NO.	DIM.(LxWxH)/mm	QUANTITY
TRAY CASE	TR-005	310X220X12	20
TRAY CASE	TR-002-1	310X220X9.5	20
PLASTIC BAG	BG-001	700X560	2
BIG CRTON	BC-008	470X340X180	1

PACKING CAPACITY

PART NO.	PCS/TR	PCS/BG	PCS/BC
FIX-HL-30	250PCS/TR	2500PCS/BG	5000PCS/BC

MORETHANALL
CONNECTORS
ASSEMBLIES

煜倫股份有限公司

PART NO. FIX-HL-30

DWG NO. FIX-HL-30

FILE NO.

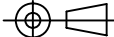
UNIT / mm

SCALE 1:1

CHECKED BY CY

DRAWING BY

PROJECTION



TOLERANCES ARE

.X ± 0.2

.XX ±

.XXX ±

AWG

DESCRIPTION:

AREA

REVISIONS

HK

DATE