

FEATURES:

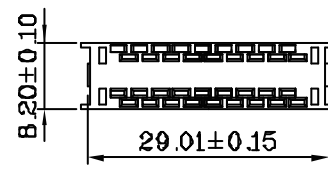
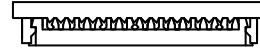
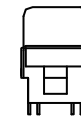
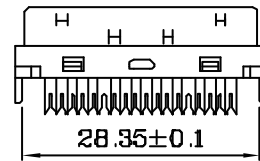
- Half pitch 1.27mm(.050") series
- Centronic male connector I.D.C type for cable
- Assembly hood: Die- Cast and plastic(steel inner shell)
- Fully EMI/RFI shielded

MATERIALS:

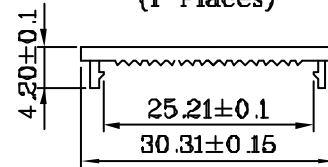
- Housing And Cover: Plastic thermoplastic
P.B.T UL94V-0 black
- Contacts: Phosphor bronze gold
selective plated
- Shell: Steel nickel plated over copper

ELECTRICAL:

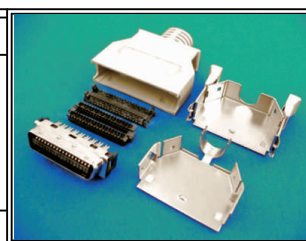
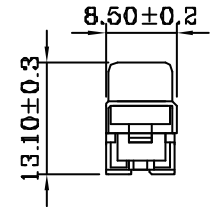
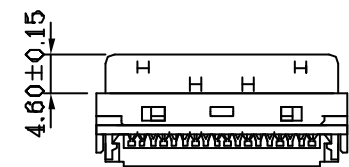
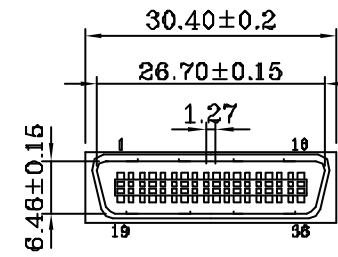
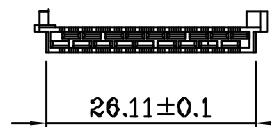
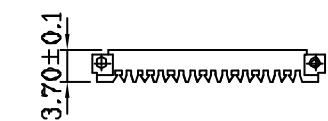
- Current Rating: 1 Amp
- Insulation Resistance: 500MΩ/Min
- Withstanding Voltage: 500V AC/Min
- Contact Resistance: 35mΩ Max
- Temperature Range: -55°C ~ +105°C



Termination Cover
(1 Places)



Wire Holder
(2 Places)



RoHS Compliant

TOLERANCES ARE

MORETHANALL
PCB CONNECTORS
Cable ASSEMBLIES

DRAWING BY CY
CHECKED BY GENIUS
UNIT / mm SCALE 1:1
DATE

X, ±
.X ±
.XX ±
.XXX ±
ANG ±

煜倫股份有限公司

www.morethanall.com

SIZE A4 PROJECTION

ORDER INFORMATION

HPC-PFQ-036-LF
SERIES | LEADFREE
| 36 WAY
| Q TYPE COVER
| IDC
| MALE

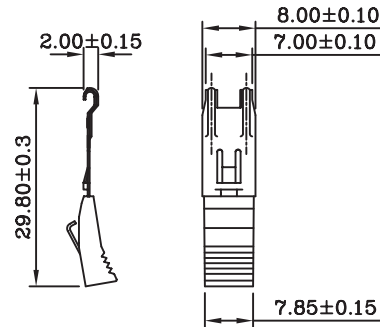
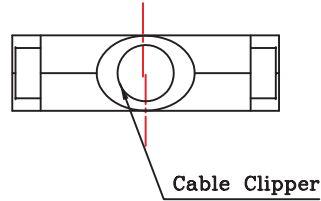
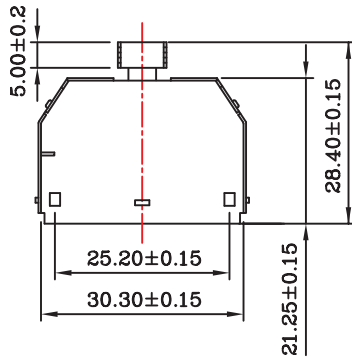
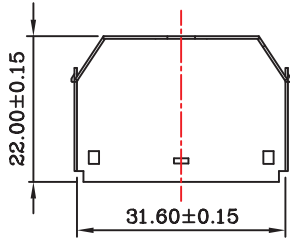
DESCRIPTION:

FEATURES:

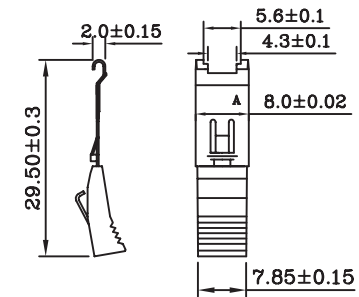
- Plastic hood with spring latches
- Steel inner shell
- Full EMI/RFI shielded

MATERIALS:

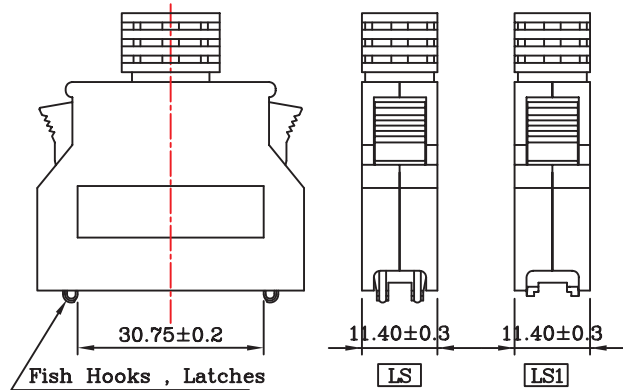
- Hood: Plastic ABS
- Inner Shell: Steel , Nickel plated
- Latch: Stainless steel



LS: Fish Hooks



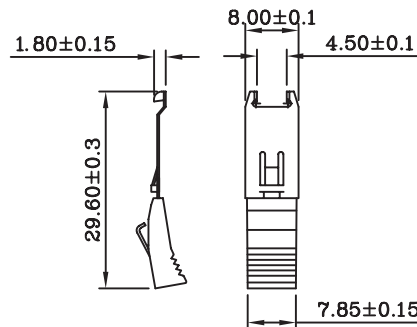
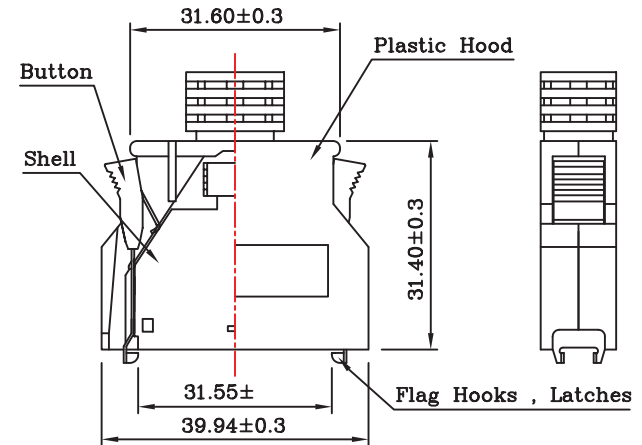
LS1: Fish Hooks



Fish Hooks , Latches

LS

LS1



SS: Flag Hooks

MORETHANALL
PCB CONNECTORS
Cable ASSEMBLIES

煜倫股份有限公司

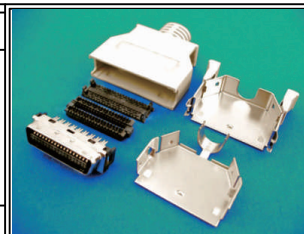
www.morethanall.com

RoHS Compliant

DRAWING BY CY
CHECKED BY GENIUS
UNIT / mm SCALE 1:1
DATE
SIZE A4 PPROJECTION

TOLERANCES ARE

X, ±
.X ±
.XX ±
.XXX ±
ANG ±



ORDER INFORMATION

HPC-PFQ-036-LF
SERIES | LEADFREE
36 WAY
Q TYPE COVER
IDC
MALE

DESCRIPTION: 1.27mm(.050") Series 36P