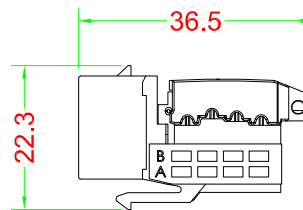
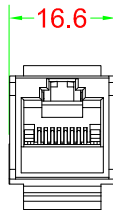
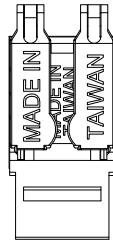
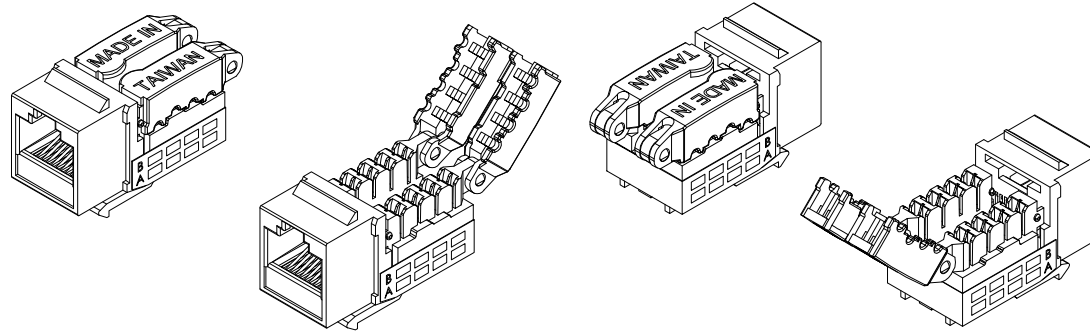


C6 KEYSTONE JACK UTP 50u



Performance:

Meets C6 EIA/TIA 568B Standard.

Materials:

Body : Fireproof ABS UL-94V0
 Jack : 8P8C 50 micro inches gold plated
 PCB : FR-4 / UL-94V0
 IDC Cap : Fireproof PC+Glass Fiber UL-94V2
 IDC Body : Fireproof ABS UL-94V0
 IDC Pin : Phosphor Bronze & Tinned

IDC Description : For 22-26 AWG.

For 110 or Krone punch-down Tool
 Tooless (when use IDC cap directly)

Electrical Specifications:

Insulation Resistance : 500M ohms (min.)
 Contact Resistance : 20m ohms (max.)
 Current Rating : 1.5 Amps .
 DC Resistance : 0.1 ohms (max.)
 Withstanding Voltage : 1000 VAC RMS @ 60Hz / 1 min.

Mechanical Specifications:

IDC Punch Down Cycle : Over 250 Cycles (min.)
 Jack Insertion Cycle : Over 2000 Cycles (min.)

Operation Temperature : -40 °C ~ +70 °C

RoHS Compliant

TOLERANCES ARE

MORETHANALL
 PCB CONNECTORS
 Cable ASSEMBLIES

煜倫股份有限公司

www.morethanall.com

DRAWING BY CY

CHECKED BY GENIUS

UNIT / mm SCALE 1 : 1

DATE

SIZE A4

X. ± 1.0
 .X ± 0.20
 .XX ± 0.15
 .XXX ±
 ANG ±

PJECTION



ORDER INFORMATION

MJK16C6-TWP50TL-0808-LF

SERIES | IDT | 50u" GOLD PLASTIC WHITE | 8P8C TOOLESS | LEADFREE

DESCRIPTION: