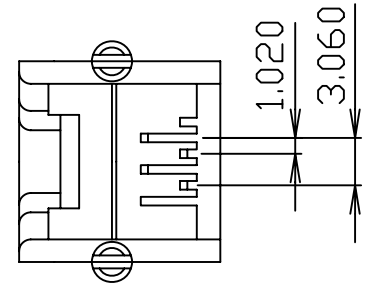
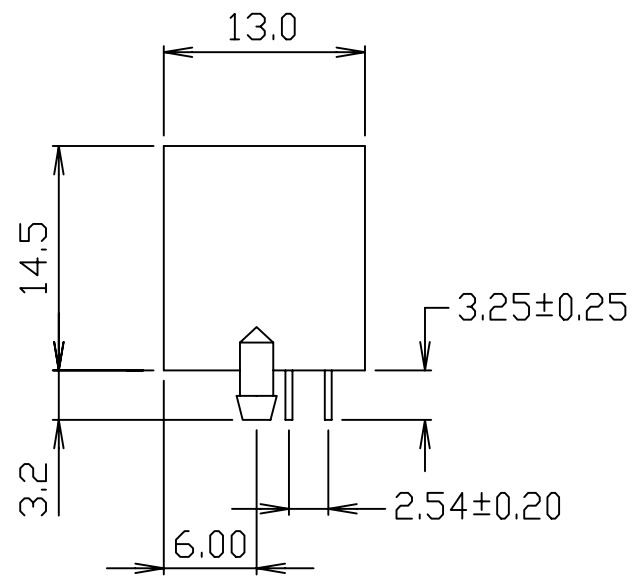
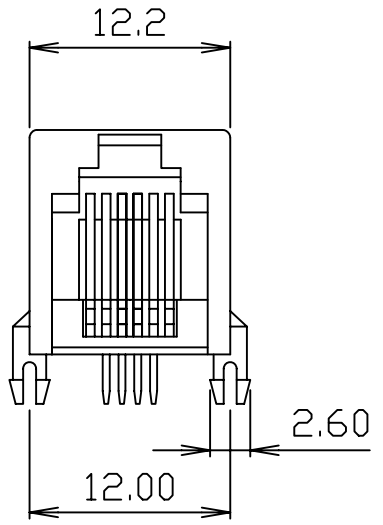
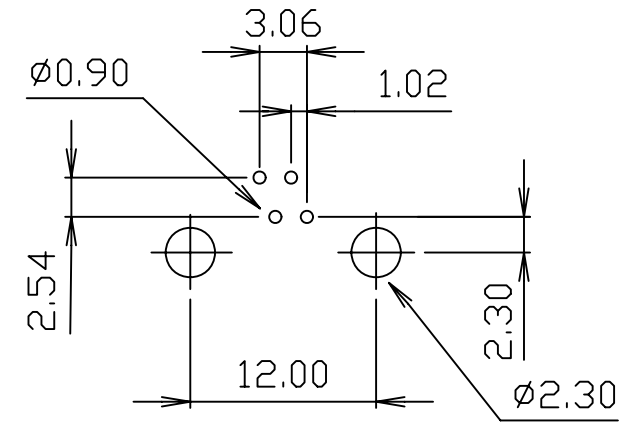


1 2 3 4 5 6 7 8 9 0

J
I
H
G
F
E
D
C
B
A



MATERIAL: HOUSING-PBT POLYESTER UL94V-0
 MIXED GLASS FIBER,
 STANDARD COLOR-GRAY.
 CONTACTS-0.45mm DIAMETER PHOS-BRONZE
 PLATED WITH HARH GOLD.
 CAVITY CONFIRMS TO FCC RULES AND REGULATIONS



PC Board Layout
 Ref.



PART NO. MJ14S-GX06-0604

DWG NO. MJ14S-GX06-0604

FILE NO.

APPROVED BY CY

DRAWING BY

TOLERANCES ARE
 0.0 ± 0.25
 0.00 ± 0.13
 0.000 ± 0.05

DESCRIPTION:
 AREA

6POSITION SHIELDLESS FLANGELESS
 MINI LOW PROFILE, SIDE ENTRY PCB JACK
 REVISIONS
 HK
 DATE

煜倫股份有限公司

UNIT / mm

SCALE 1:1

PROJECTION