

J

I

H

G

F

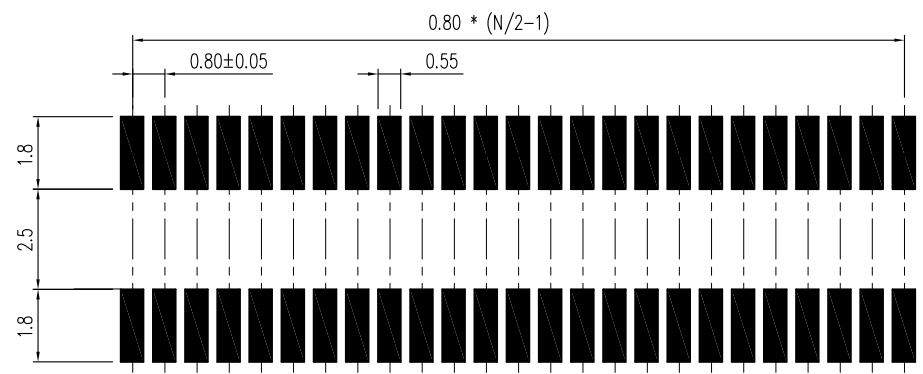
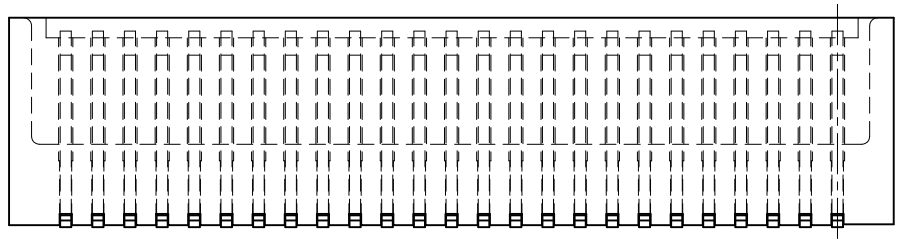
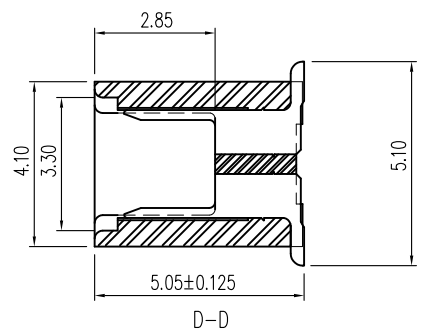
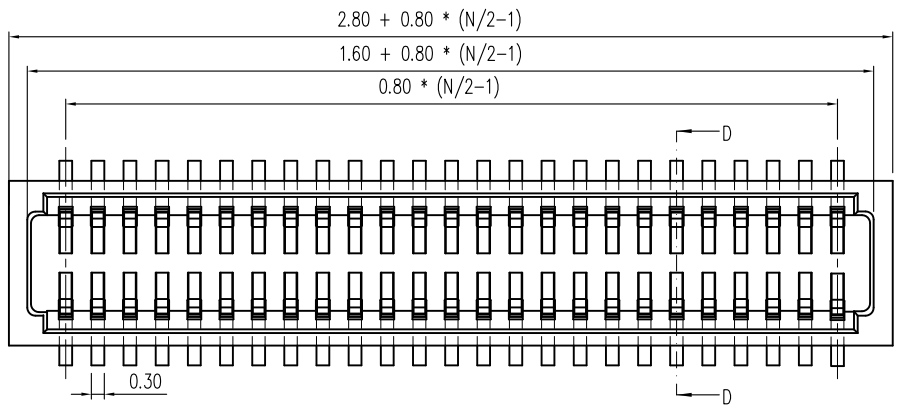
E

D

C

B

A



critical:

1. Voltage : 50V.
2. Current : 0.5A.
3. Contact Resistance : 40m Ω max.
4. Dielectric Withstanding Voltage : 500V AC / 1 min.
5. Insulation Resistance : 100M Ω min.

NP08-P505XR-xxx-LF  
LEADFREE

RoHS Compliant

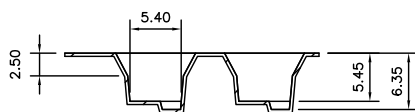
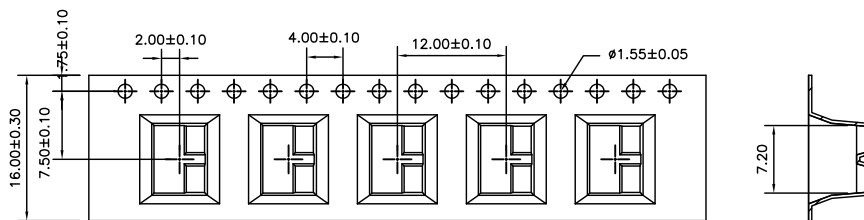
PCB Layout For Surface Mounting

	PART NO. NP08-P505XR-xxx		TOLERANCES ARE .X ± 0.2 .XX ± .XXX ± AWG	DESCRIP TION: 0.80mm ( 0.031") Pitch Board To Board Female connector H = 5.05mm(NO BOSS)
	DWG NO. NP08-P505XR-xxx			
	FILE NO.		DRAWING BY	AREA
	UNIT / mm	SCALE 1:1	PROJECTION	
				HK
				DATE

DEVICE TYPE: NP08-P  
 CUSTOMER :  
 DWG NO :

MATERIAL :PS 黑色  
 Q'TY : 1000PCS/REEL

ITEM	W	A0	B0	K0	K1	-	-	-	-	-	-	-
DIM	16 <sup>+0.3</sup> <sub>-0.3</sub>	4.5 <sup>+0.1</sup> <sub>-0.1</sub>	7.2 <sup>+0.1</sup> <sub>-0.1</sub>	6.35 <sup>+0.1</sup> <sub>-0.1</sub>	5.45 <sup>+0.1</sup> <sub>-0.1</sub>	-	-	-	-	-	-	-



**MORETHANALL**  
 CONNECTORS  
 ASSEMBLIES

煜倫股份有限公司

PART NO. NP08-P505XR-xxx		CHECKED BY CY	TOLERANCES ARE .X ± .XX ± .XXX ± AWG	DESCRIP TION: 0.8mm Pitch Board-to-Board 2*5(10P) male Tape&Reel			
DWG NO. NP08-P505XR-xxx							
FILE NO.		PROJECTION	AREA	REVISIONS	HK	DATE	