

1 2 3 4 5 6 7 8 9 0

J

I

H

G

F

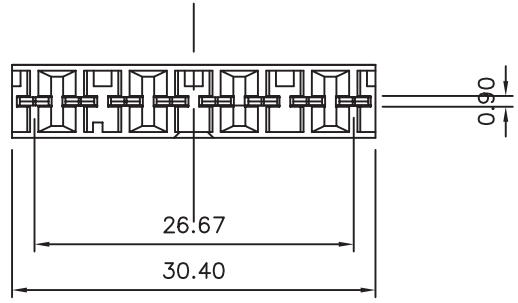
E

D

C

B

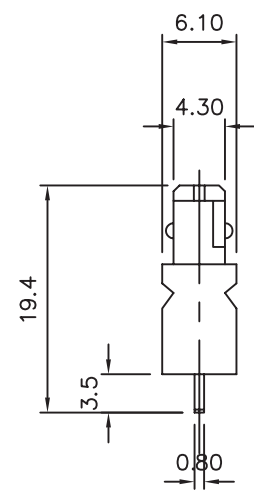
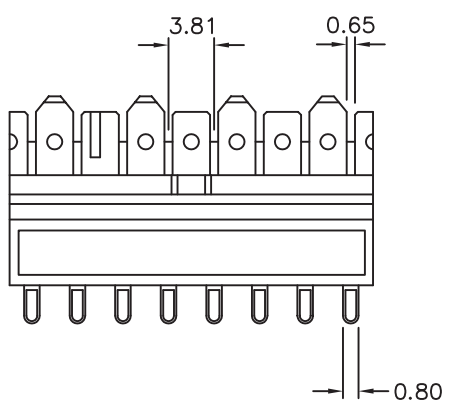
A



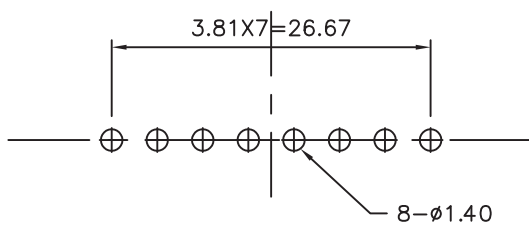
SPECIFICATIONS

MATERIAL:

- 1. Housing : PC UL94V0
- 2. Color : White
- 3. Contacts : 0.80mm Thickness C5191, Tin Plating Over Nickel



IDT038-D-08-LF
LEADFREE
RoHS Compliant



PCB LAYOUT



PART NO. IDT038-D-08

DWG NO. IDT038-D-08

CHECKED BY CY

TOLERANCES ARE

DESCRIPTION: 110 IDC Connector

FILE NO.

DRAWING BY

.X ± 0.2
.XX ±
.XXX ±
AWG

AREA	REVISIONS	HK	DATE
------	-----------	----	------

煜倫股份有限公司

UNIT / mm

SCALE 1:1

PROJECTION