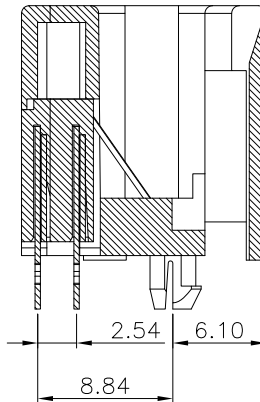
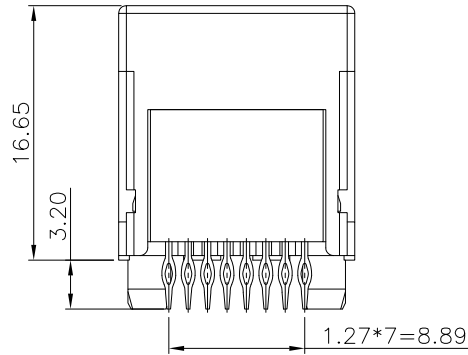


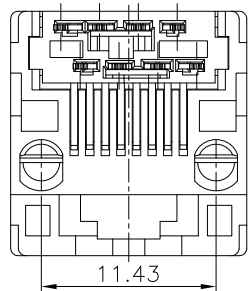
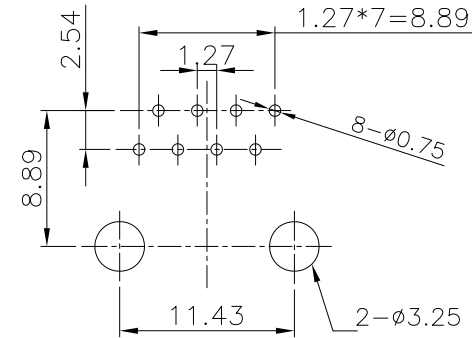
Electrical:
 1.Voltage Rating:125 Vac Rms.
 2.Current Rating:1.5 Amp.
 3.Contact Resistance:40 Milliohms Max.
 4.Insulation Resistance:1000 Megohms Min @500 Vdc.
 5.Dielectric Strength:1000 Vac Rms 60Hz, 1Min.

Mechanical:
 1.Operating:750 Cycles Min.

Environmental:
 1.Storage:-40°C To +85°C.
 2.Operion:-20°C To +75°C.
 Mates With Modular Plug Conforming
 To FCC Part 68, Subpart F.



PCB LAYOUT/TOP VIEW



Materials:

Plastic Housing: Engineering Thermoplastic
 Flammability Rating UL 94V-0.

Contacts: Thickness Phosphor Bronze

Plating: Gold Plating Over Nickel In Contact.

MJP16C5E-KX06-0808-LF
 LEADFREE

RoHS Compliant

	PART NO.MJP16C5E-KX06-0808		TOLERANCES ARE .X ± .XX ± .XXX ± AWG	DESCRIP TION:				
	DWG NO. MJP16C5E-KX06-0808							CHECKED BY CY
焯倫股份有限公司	FILE NO.		DRAWING BY		AREA	REVISIONS	HK	DATE
	UNIT / mm	SCALE 1:1	PROJECTION					