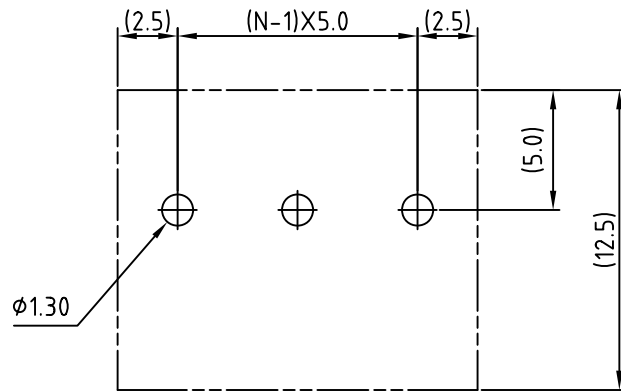
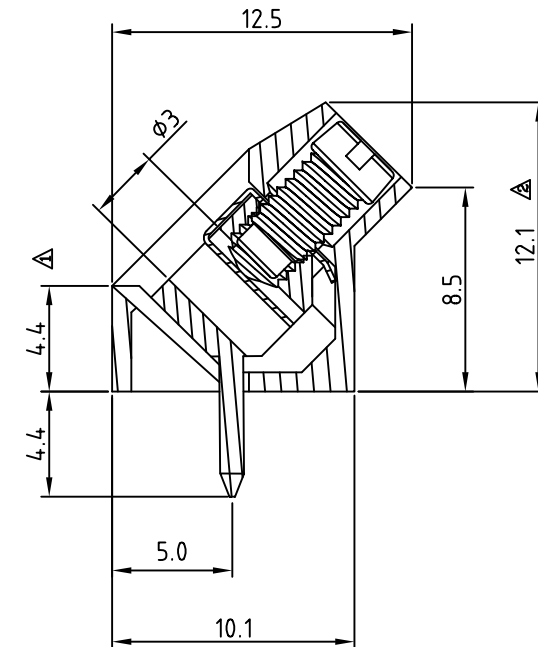
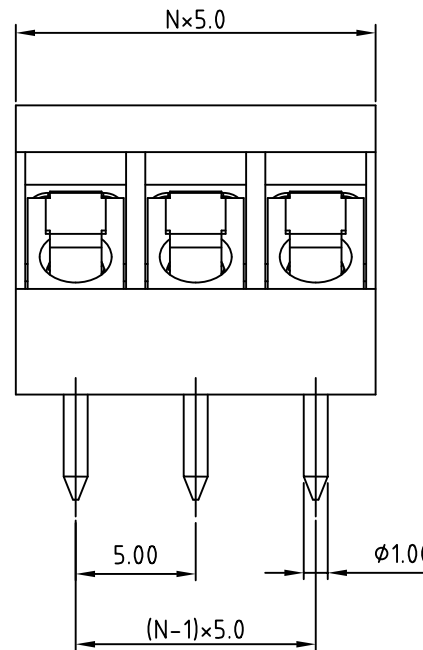
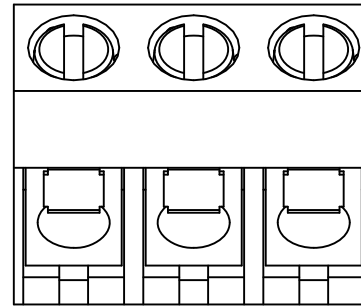


## Material

- Terminal body
- (metal housing): Brass (CuZn)
- Terminal screw: Steel Zinc plating "-" slot type
- Wire guard: Stainless steel
- Surface of solder tail: Tin plated
- Insulator (housing): Thermoplastic (UL94V-0)

## ⚠ Electrical

- Voltage rating: 300VAC
- Current rating: 15A
- Wire range:
  - Solid wire(AWG): 14-22
  - Stranded wire(AWG): 14-22
- Torque(Lb-In): 3.5
- Screw: M3
- Wire strip length: 6-7mm
  - Withstanding Voltage: 1.6KV
  - Operating temperature: -30° C to +105° C
  - Soldering temperature: 245° C±10° C/5 Sec



RECOMMENDED PCB LAYOUT

N=Number of contacts

RoHS Compliant

TOLERANCES ARE

**MORETHANALL**  
PCB CONNECTORS  
Cable ASSEMBLIES

DRAWING BY CY

CHECKED BY GENIUS

UNIT / mm

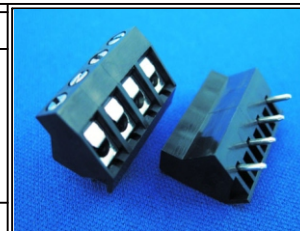
SCALE 1 : 1

DATE

SIZE A4

PJECTION

X, ±  
.X ± 0.30  
.XX ± 0.10  
.XXX ±  
ANG ±



ORDER INFORMATION

TBN050-A12-xx-LF

SERIES

LEADFREE

02-24WAY

HIGH 12.0mm

SLANT DIP

煜倫股份有限公司

www.morethanall.com

DESCRIPTION: 5.0 SERIES SOLID BLOCK SERIES