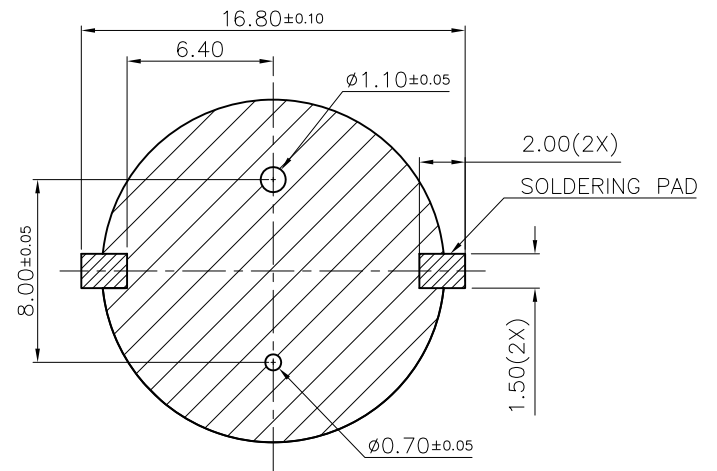


- NOTES:
- MATERIAL:
 - HOUSING: THERMOPLASTIC, HIGH TEMP., UL94V-0; COLOR: BLACK.
 - CONTACT: COPPER ALLOY
 - FINISH:
 - 50~100u" NICKEL UNDERPLATING OVERALL. 100~200u" TIN PLATING ON SOLDER TAILS. GOLD FLASH PLATING ON CONTACT AREA.
 - 50~100u" NICKEL UNDERPLATING OVERALL. GOLD FLASH PLATING ON CONTACT AREA.



MATING FACE P.C.B. LAYOUT
PCB. THICKNESS 1.00±0.05mm

RoHS Compliant

TOLERANCES ARE

MORETHANALL
PCB CONNECTORS
Cable ASSEMBLIES

DRAWING BY CY

X. ± 0.50

CHECKED BY GENIUS

.X ± 0.25

UNIT / mm

SCALE 1 : 1

.XX ± 0.15

.XXX ± 0.10

ANG ± 2°

DATE

SIZE A4

PPOJECTION



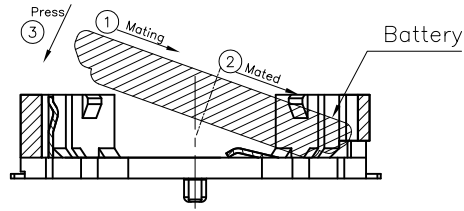
ORDER INFORMATION

BTH-V36P-12-LF
SERIES | LEADFREE
| CR1220
| POST
| HIGH 3.6mm
| 180°SMT

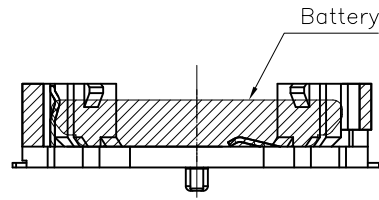
煜倫股份有限公司

www.morethanall.com

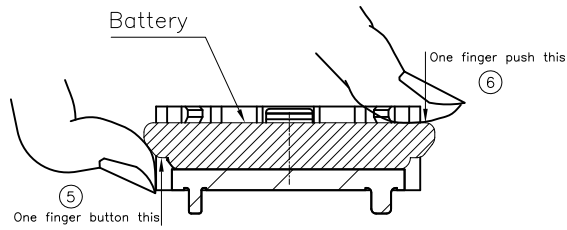
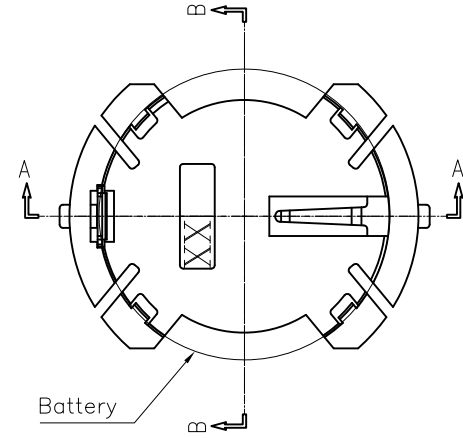
DESCRIPTION: I/O STANDARD BATTERY HOLDER SMT 2P



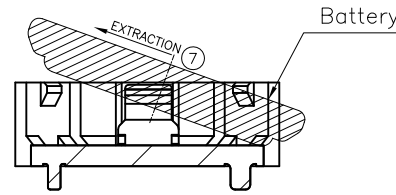
SECTION A-A
① → ③ Mating Set up



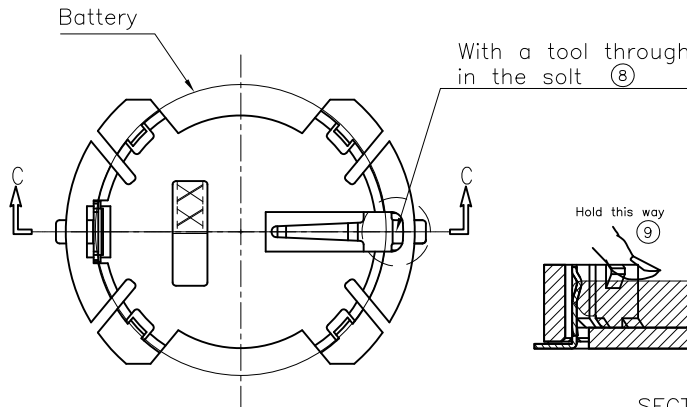
SECTION A-A
④ Install complete



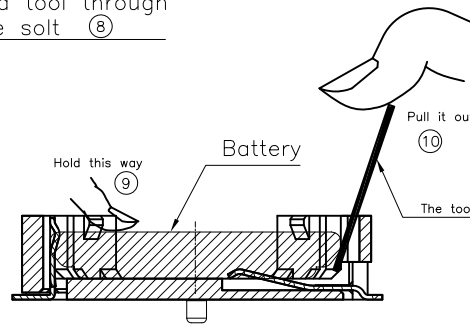
SECTION B-B
⑤ → ⑥ Getting out



SECTION B-B
⑦ Get out complete



⑧ Getting out



SECTION C-C
⑨ → ⑩ Get out complete

MORETHANALL
PCB CONNECTORS
Cable ASSEMBLIES

煜倫股份有限公司

www.morethanall.com

RoHS Compliant

DRAWING BY CY

CHECKED BY GENIUS

UNIT / mm SCALE 1 : 1

DATE

SIZE A4

TOLERANCES ARE

X. ± 0.50

.X ± 0.25

.XX ± 0.15

.XXX ± 0.10

ANG ± 2°

PPOJECTION



ORDER INFORMATION

BTH-V36P-12-LF

SERIES | | | LEADFREE
| | | CR1220
| | | POST
| | | HIGH 3.6mm
| | | 180°SMT

DESCRIPTION: 1/0 STANDARD BATTERY HOLDER SMT 2P