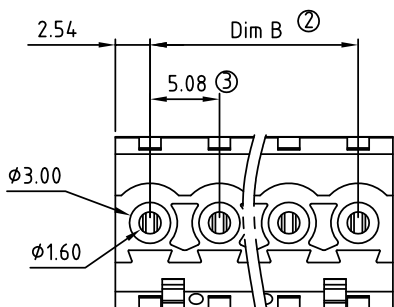
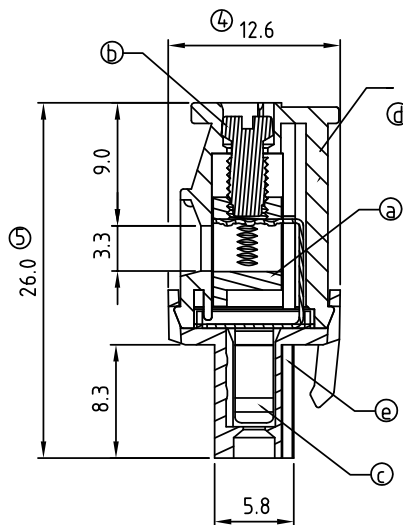
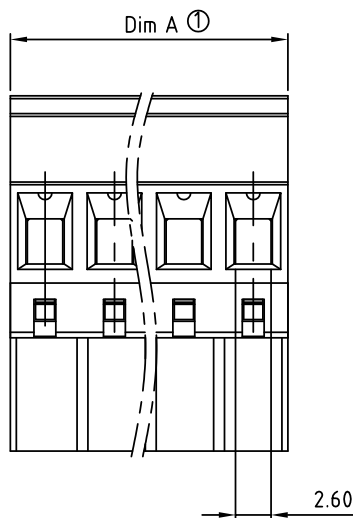


△



N = Number of poles

Dim A = N x 5.08

Dim B = (N - 1) x 5.08

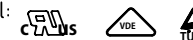
	Dim A	Dim B
2-6p	±0.15	±0.15
7-12p	±0.20	±0.20
13-18p	±0.30	±0.30
19-24p	±0.40	±0.40

### Material

- Item ① Clamp: Brass(CuZn), Ni plating
- Item ② Terminal screw: Steel Cr3+ Zinc plating "-" slot type
- Item ③ Female contact: PhBz, Tin plated
- Item ④ Terminal up body: PA66 (UL94V-0)
- Item ⑤ Terminal down body: PA66 (UL94V-0)

### △△ Electrical cULus/VDE/TUV

- Voltage rating: 300VAC/300VAC/300VAC
- Current rating: 15A/17A/15A
- Wire range: 2.5mm<sup>2</sup> / 0.34-2.5mm<sup>2</sup>
- Solid wire(AWG): 12-24
- Stranded wire(AWG): 12-24
- Torque: 3.5Lb-In./0.5Nm/0.4Nm
- Screw: M3
- Wire strip length: 6-7mm
- Withstanding Voltage: 1.6KV/2.5KV/2.5KV
- Operating temperature: -40°C to +115°C
- Safety approval:



**RoHS Compliant**

TOLERANCES ARE

**MORETHANALL**  
PCB CONNECTORS  
Cable ASSEMBLIES

DRAWING BY CY

CHECKED BY GENIUS

UNIT / mm SCALE 1 : 1

DATE

SIZE A4

X. ±0.50  
.X ±0.30  
.XX ±0.10  
.XXX ±  
ANG ±1°

PJECTION



**ORDER INFORMATION**

TBH051-SVB-xx-LF

SERIES | LEADFREE  
| 02-24WAY  
| BOTTOM KEY  
| SCREW 180°  
| FEMALE

DESCRIPTION:

**煜倫股份有限公司**

www.morethanall.com