

FEATURES:

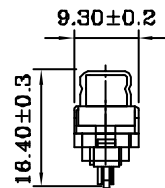
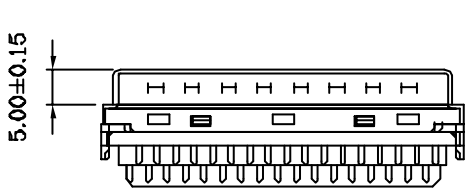
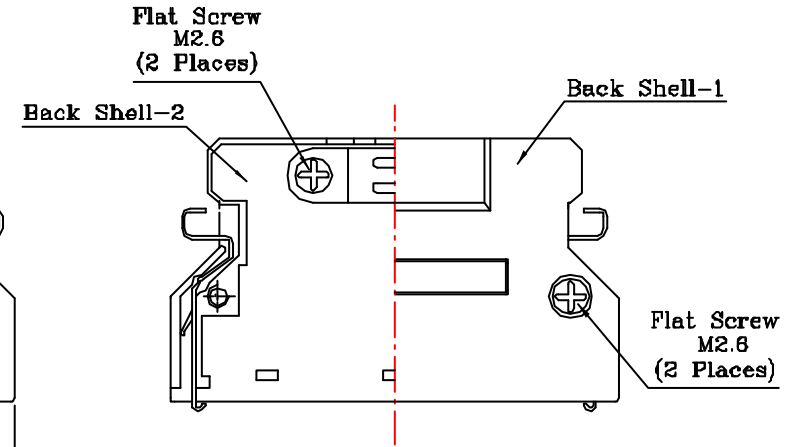
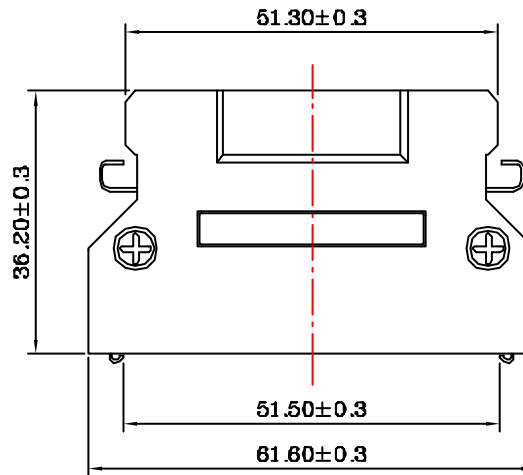
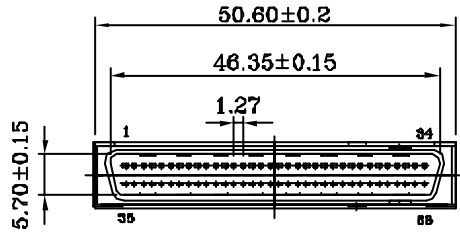
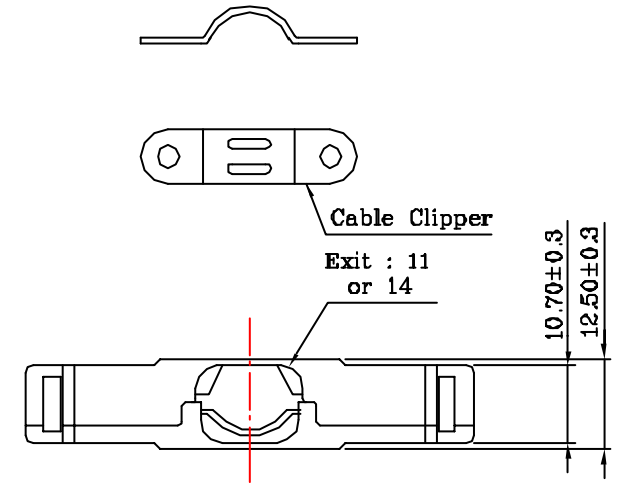
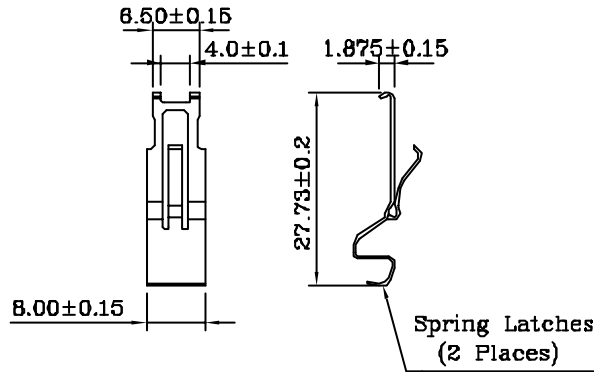
- Half pitch 1.27mm(.050") series
- D-SUB Male connector solder type for cable
- Assembly hood: with Die-Cast metal hood
- Fully EMI/RFI shielded

MATERIALS:

- Housing: Thermoplastic P.B.T UL94V-0 black
- Contacts: Phosphor bronze mating end selective gold plated
- Front Shell: Steel nickel plated over copper

ELECTRICAL:

- Current Rating: 1 Amp
- Insulation Resistance: 500MΩ/Min
- Withstanding Voltage: AC 500V/Min
- Contact Resistance: 35mΩ MAX
- Temperature Range: -55°C ~ +105°C



HPD-PSW-068-LF
LEADFREE

RoHS Compliant



PART NO. **HPD-PSW-068**

DWG NO. **HPD-PSW-068**

FILE NO.

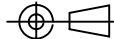
UNIT / mm

SCALE 1:1

CHECKED BY CY

DRAWING BY

PROJECTION



TOLERANCES ARE

- .X ± 0.2
- .XX ±
- .XXX ±
- AWG

DESCRIPTION:

1.27mm(.050") Pitch D-SUB 68P
Male Connector Solder
Assembly Type

AREA

REVISIONS

HK

DATE

焯倫股份有限公司