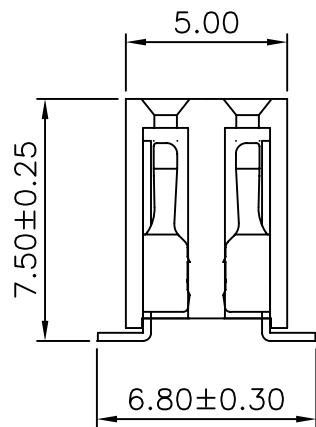
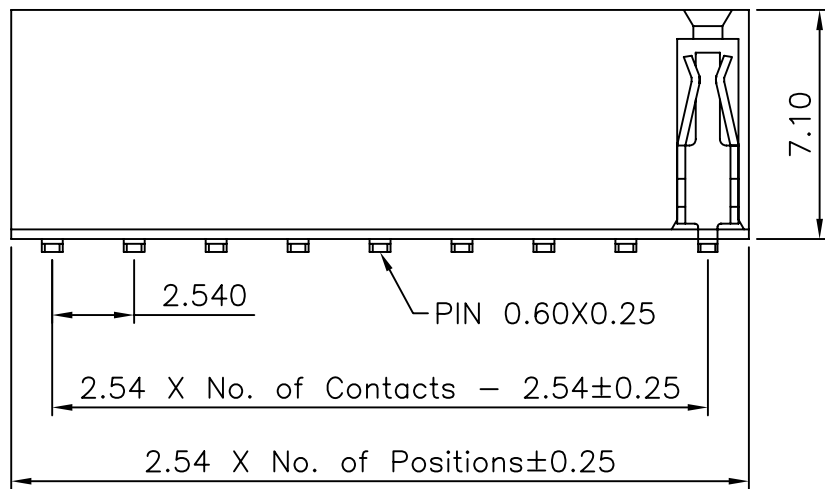
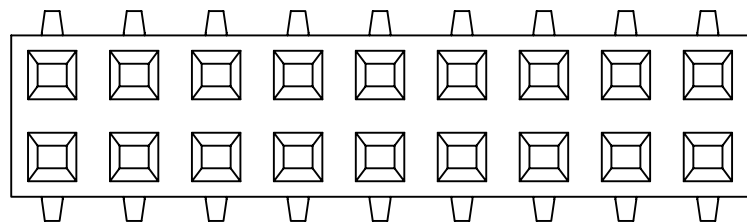


1 2 3 4 5 6 7 8 9 0

J
I
H
G
F
E
D
C
B
A



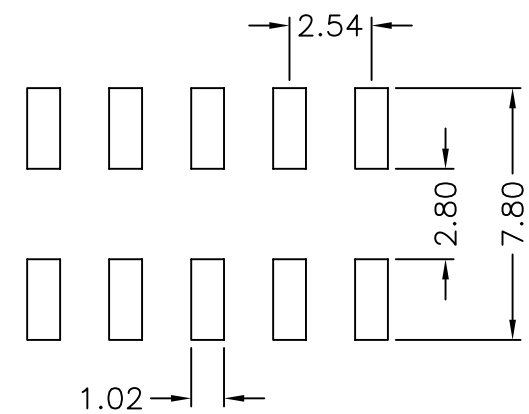
Specifications

Current Rating: 3Amp
 Insulation Resistance: 1000MΩ Min.
 Dielectric Withstanding: 600V AC/DC
 Contact Resistance: 20mΩ Max.
 Operating Temperature: -40°C to +105°C

Materials

Contact Material: Phosphor Bronze
 Insulation Material: Polyester, UL 94V-0
 Nylon 6T

Recommended P.C.Board Layout



F-V75X-2Xxx-LF
 LEADFREE
 RoHS Compliant



PART NO. F-V75X-2Xxx	
DWG NO. F-V75X-2Xxx	
FILE NO.	
UNIT / mm	SCALE 1:1

APPROVED BY CY	TOLERANCES ARE .X ±0.38 .XX ±0.25 .XXX ±0.13 AWG
DRAWING BY	
PROJECTION	

DESCRIPTION:	2.54 FEMALE HEADER DUAL ROW SMT TYPE BASE 7.10			
AREA	REVISIONS	HK	DATE	

煜倫股份有限公司