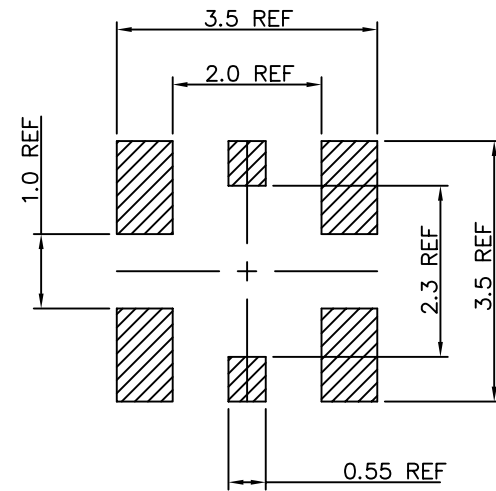
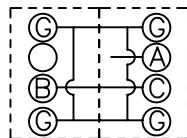
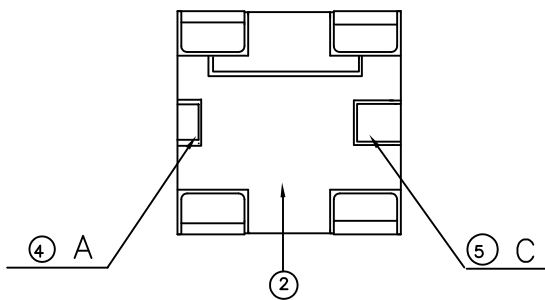


Not mated with the Plug(N.C)



RECOMMENDED PCB LAYOUT



Mated with the Plug(N.O)

⑥	B		MATING PLUG (PROBE)	
⑤	RS100-005	1	CONTACT B, GOLD PLATING	
④	RS100-005	1	CONTACT A, GOLD PLATING	
③	RS100-004	1	HOUSING, CONTACT G, GOLD FLASH	
②	RS100-007	1	HOUSING, LCP PLASTIC UL94 V-0	
①	RS100-006	1	HOUSING, LCP PLASTIC UL94 V-0	
ITEM	PART NO.	Q'TY	DESCRIPTION	REMARK
BOM LIST				

RoHS Compliant

TOLERANCES ARE

**MORETHANALL**  
PCB CONNECTORS  
Cable ASSEMBLIES

DRAWING BY CY

X, ±

CHECKED BY GENIUS

.X, ±

UNIT / mm

SCALE 1 : 1

.XX, ±

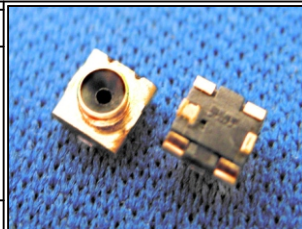
DATE

.XXX, ±

ANG, ±

SIZE A4

PJECTION



ORDER INFORMATION

RFS-JV-50-LF  
SERIES | | LEADFREE  
50 OHM  
180°SMT  
JACK

煜倫股份有限公司

www.morethanall.com

DESCRIPTION: