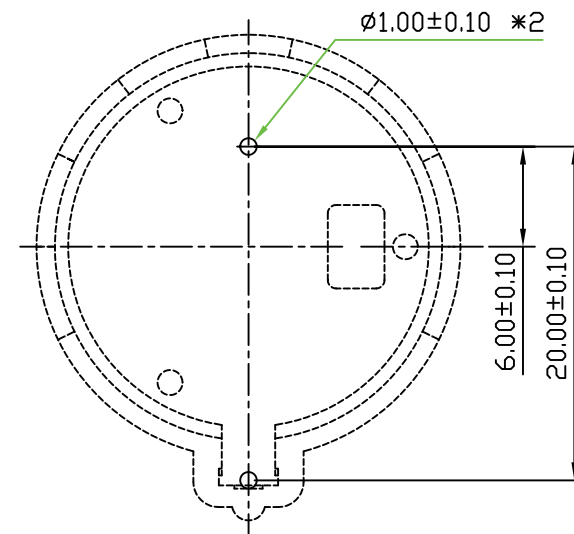


NOTES

1. MATERIALS:  
HOUSING-PBT 30%GF UL94V-0.  
CONTACT-PHOSPHOR BRONZE, C5191R-H T=0.6mm.
2. FLASH: 0.25mm MAX.
3. CAMBER: 0.13mm MAX. DEFORMATION: NA.  
WARP: 0.13mm MAX. TWIST: NA.



RECOMMEND PCB LAYOUT  
COMPONENT SIDE

PART NO	$\phi A$	B	
BTH-D-23	25.4	29.0	FOR CR2325

RoHS Compliant

TOLERANCES ARE

**MORETHANALL**  
PCB CONNECTORS  
Cable ASSEMBLIES

煜倫股份有限公司

www.morethanall.com

DRAWING BY CY

CHECKED BY GENIUS

UNIT/mm

SCALE 1:1

DATE

SIZE A4

PPOJECTION

X.  $\pm$   
.X  $\pm 0.25$   
.XX  $\pm 0.20$   
.XXX  $\pm 0.10$   
ANG  $\pm 2^\circ$



ORDER INFORMATION

BTH-D-23-LF

SERIES

LEADFREE

FOR CR2325

DIP 180°

DESCRIPTION: BATTERY HOLDER ASS'Y