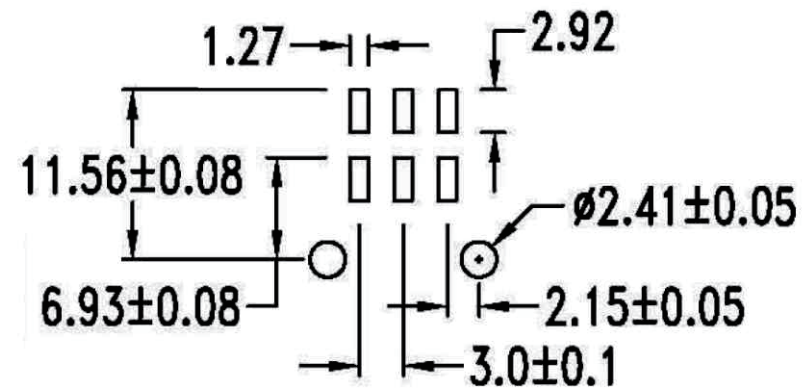
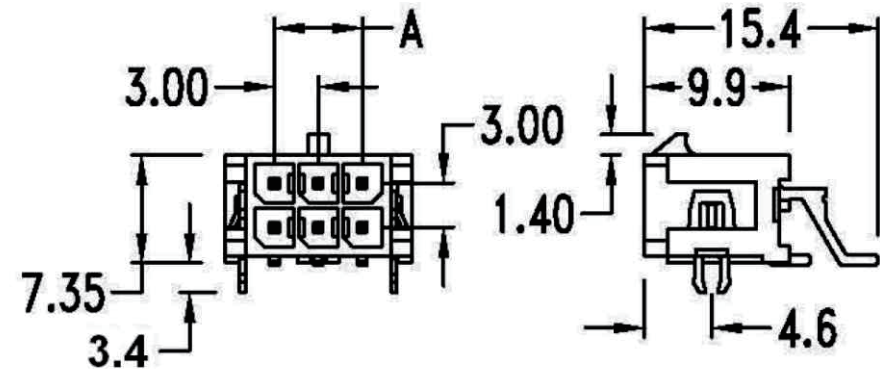


### Features:

- 2 ~ 24 circuits available
- Material: LCP
- Tin-plated brass pin

### Specification:

- Current rating: 5A AC, DC
- Voltage rating: 250V AC, DC
- Contact resistance: 10mΩ Max.
- Dielectric withstanding voltage: 1500V AC/minute
- Ambient temperature range: -25°C ~ 85°C



PCB Layout: Component side

### Dimensional Information

Circuits	Dim. A	Dim. B	Circuits	Dim. A	Dim. B	Circuits	Dim. A	Dim. B	Circuits	Dim. A	Dim. B	Circuits	Dim. A	Dim. B	Circuits	Dim. A	Dim. B
2		6.65	6	6.0	12.65	10	12.0	18.65	14	18.0	24.65	18	24.0	30.65	22	30.0	36.65
4	3.0	9.65	8	9.0	15.65	12	15.0	21.65	16	21.0	27.65	20	27.0	33.65	24	33.0	39.65

**MORETHANALL**  
PCB CONNECTORS  
Cable ASSEMBLIES

煜倫股份有限公司

www.morethanall.com

RoHS Compliant

DRAWING BY CY

CHECKED BY GENIUS

UNIT/mm SCALE 1:1

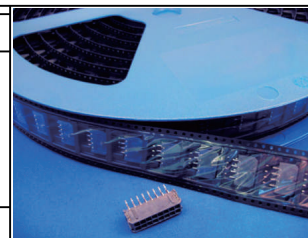
DATE

SIZE A4

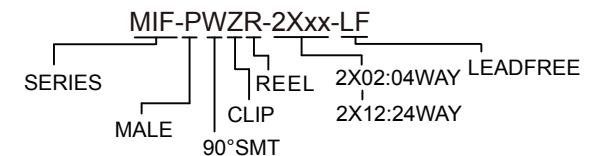
TOLERANCES ARE

X.±  
.X±  
.XX±  
.XXX±  
ANG±

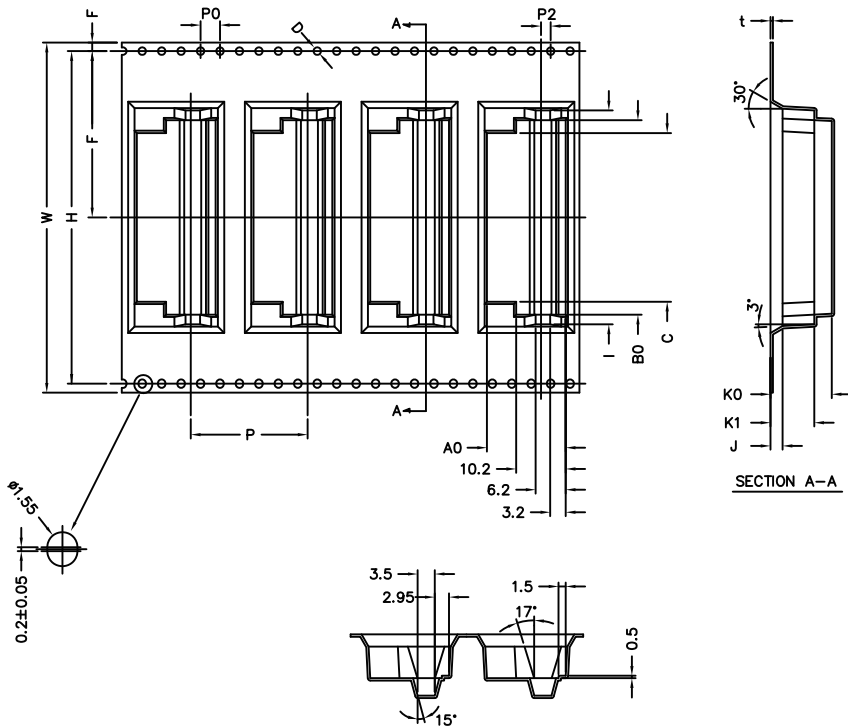
PJECTION



### ORDER INFORMATION



DESCRIPTION:



ITEM	W	H	A0	B0	K0	K1	P	F	E	D	t	P <sub>0</sub>	P <sub>2</sub>	C	I	J
2	24.0 <sup>+0.30</sup> <sub>-0.30</sub>		16.2 <sup>+0.10</sup> <sub>-0.10</sub>	7.0 <sup>+0.10</sup> <sub>-0.10</sub>	11.4 <sup>+0.10</sup> <sub>-0.10</sub>	9.0 <sup>+0.10</sup> <sub>-0.10</sub>	20.0 <sup>+0.10</sup> <sub>-0.10</sub>	11.5 <sup>+0.10</sup> <sub>-0.10</sub>	1.75 <sup>+0.10</sup> <sub>-0.10</sub>	1.50 <sup>+0.10</sup> <sub>-0.10</sub>	0.4	4.00 <sup>+0.10</sup> <sub>-0.10</sub>	2.00 <sup>+0.10</sup> <sub>-0.10</sub>	4.00	11.00	2.00
4	24.0 <sup>+0.30</sup> <sub>-0.30</sub>		16.2 <sup>+0.10</sup> <sub>-0.10</sub>	10.0 <sup>+0.10</sup> <sub>-0.10</sub>	11.4 <sup>+0.10</sup> <sub>-0.10</sub>	9.0 <sup>+0.10</sup> <sub>-0.10</sub>	20.0 <sup>+0.10</sup> <sub>-0.10</sub>	11.5 <sup>+0.10</sup> <sub>-0.10</sub>	1.75 <sup>+0.10</sup> <sub>-0.10</sub>	1.50 <sup>+0.10</sup> <sub>-0.10</sub>	0.4	4.00 <sup>+0.10</sup> <sub>-0.10</sub>	2.00 <sup>+0.10</sup> <sub>-0.10</sub>	4.70	14.00	2.00
6	32.0 <sup>+0.30</sup> <sub>-0.30</sub>	28.4 <sup>+0.20</sup> <sub>-0.20</sub>	16.2 <sup>+0.10</sup> <sub>-0.10</sub>	13.0 <sup>+0.10</sup> <sub>-0.10</sub>	11.4 <sup>+0.10</sup> <sub>-0.10</sub>	9.0 <sup>+0.10</sup> <sub>-0.10</sub>	20.0 <sup>+0.10</sup> <sub>-0.10</sub>	14.2 <sup>+0.10</sup> <sub>-0.10</sub>	1.75 <sup>+0.10</sup> <sub>-0.10</sub>	1.50 <sup>+0.10</sup> <sub>-0.10</sub>	0.4	4.00 <sup>+0.10</sup> <sub>-0.10</sub>	2.00 <sup>+0.10</sup> <sub>-0.10</sub>	7.70	17.00	2.00
8	32.0 <sup>+0.30</sup> <sub>-0.30</sub>	28.4 <sup>+0.20</sup> <sub>-0.20</sub>	16.2 <sup>+0.10</sup> <sub>-0.10</sub>	16.0 <sup>+0.10</sup> <sub>-0.10</sub>	11.4 <sup>+0.10</sup> <sub>-0.10</sub>	9.0 <sup>+0.10</sup> <sub>-0.10</sub>	20.0 <sup>+0.10</sup> <sub>-0.10</sub>	14.2 <sup>+0.10</sup> <sub>-0.10</sub>	1.75 <sup>+0.10</sup> <sub>-0.10</sub>	1.50 <sup>+0.10</sup> <sub>-0.10</sub>	0.4	4.00 <sup>+0.10</sup> <sub>-0.10</sub>	2.00 <sup>+0.10</sup> <sub>-0.10</sub>	10.7	20.00	2.00
10	44.0 <sup>+0.30</sup> <sub>-0.30</sub>	40.0 <sup>+0.20</sup> <sub>-0.20</sub>	16.2 <sup>+0.10</sup> <sub>-0.10</sub>	19.0 <sup>+0.10</sup> <sub>-0.10</sub>	11.4 <sup>+0.10</sup> <sub>-0.10</sub>	9.0 <sup>+0.10</sup> <sub>-0.10</sub>	20.0 <sup>+0.10</sup> <sub>-0.10</sub>	20.2 <sup>+0.15</sup> <sub>-0.15</sub>	1.75 <sup>+0.10</sup> <sub>-0.10</sub>	1.50 <sup>+0.10</sup> <sub>-0.10</sub>	0.4	4.00 <sup>+0.10</sup> <sub>-0.10</sub>	2.00 <sup>+0.10</sup> <sub>-0.10</sub>	13.7	23.00	2.00
12	44.0 <sup>+0.30</sup> <sub>-0.30</sub>	40.0 <sup>+0.20</sup> <sub>-0.20</sub>	16.2 <sup>+0.10</sup> <sub>-0.10</sub>	22.0 <sup>+0.10</sup> <sub>-0.10</sub>	12.6 <sup>+0.10</sup> <sub>-0.10</sub>	9.0 <sup>+0.10</sup> <sub>-0.10</sub>	24.0 <sup>+0.10</sup> <sub>-0.10</sub>	20.2 <sup>+0.15</sup> <sub>-0.15</sub>	1.75 <sup>+0.10</sup> <sub>-0.10</sub>	1.50 <sup>+0.10</sup> <sub>-0.10</sub>	0.5	4.00 <sup>+0.10</sup> <sub>-0.10</sub>	2.50 <sup>+0.10</sup> <sub>-0.10</sub>	16.7	26.00	2.50
14	44.0 <sup>+0.30</sup> <sub>-0.30</sub>	40.0 <sup>+0.20</sup> <sub>-0.20</sub>	16.2 <sup>+0.10</sup> <sub>-0.10</sub>	25.0 <sup>+0.10</sup> <sub>-0.10</sub>	12.6 <sup>+0.10</sup> <sub>-0.10</sub>	9.0 <sup>+0.10</sup> <sub>-0.10</sub>	24.0 <sup>+0.10</sup> <sub>-0.10</sub>	20.2 <sup>+0.15</sup> <sub>-0.15</sub>	1.75 <sup>+0.10</sup> <sub>-0.10</sub>	1.50 <sup>+0.10</sup> <sub>-0.10</sub>	0.5	4.00 <sup>+0.10</sup> <sub>-0.10</sub>	2.00 <sup>+0.10</sup> <sub>-0.10</sub>	19.7	29.00	2.50
16	56.0 <sup>+0.30</sup> <sub>-0.30</sub>	52.4 <sup>+0.20</sup> <sub>-0.20</sub>	16.2 <sup>+0.10</sup> <sub>-0.10</sub>	28.0 <sup>+0.10</sup> <sub>-0.10</sub>	12.6 <sup>+0.10</sup> <sub>-0.10</sub>	9.0 <sup>+0.10</sup> <sub>-0.10</sub>	24.0 <sup>+0.10</sup> <sub>-0.10</sub>	26.2 <sup>+0.15</sup> <sub>-0.15</sub>	1.75 <sup>+0.10</sup> <sub>-0.10</sub>	1.50 <sup>+0.10</sup> <sub>-0.10</sub>	0.5	4.00 <sup>+0.10</sup> <sub>-0.10</sub>	2.00 <sup>+0.10</sup> <sub>-0.10</sub>	22.7	32.00	2.50
18	56.0 <sup>+0.30</sup> <sub>-0.30</sub>	52.4 <sup>+0.20</sup> <sub>-0.20</sub>	16.2 <sup>+0.10</sup> <sub>-0.10</sub>	31.0 <sup>+0.10</sup> <sub>-0.10</sub>	12.6 <sup>+0.10</sup> <sub>-0.10</sub>	9.0 <sup>+0.10</sup> <sub>-0.10</sub>	24.0 <sup>+0.10</sup> <sub>-0.10</sub>	26.2 <sup>+0.15</sup> <sub>-0.15</sub>	1.75 <sup>+0.10</sup> <sub>-0.10</sub>	1.50 <sup>+0.10</sup> <sub>-0.10</sub>	0.5	4.00 <sup>+0.10</sup> <sub>-0.10</sub>	2.00 <sup>+0.10</sup> <sub>-0.10</sub>	25.7	35.00	2.50
20	56.0 <sup>+0.30</sup> <sub>-0.30</sub>	52.4 <sup>+0.20</sup> <sub>-0.20</sub>	16.2 <sup>+0.10</sup> <sub>-0.10</sub>	34.0 <sup>+0.10</sup> <sub>-0.10</sub>	12.6 <sup>+0.10</sup> <sub>-0.10</sub>	9.0 <sup>+0.10</sup> <sub>-0.10</sub>	24.0 <sup>+0.10</sup> <sub>-0.10</sub>	26.2 <sup>+0.15</sup> <sub>-0.15</sub>	1.75 <sup>+0.10</sup> <sub>-0.10</sub>	1.50 <sup>+0.10</sup> <sub>-0.10</sub>	0.5	4.00 <sup>+0.10</sup> <sub>-0.10</sub>	2.00 <sup>+0.10</sup> <sub>-0.10</sub>	28.7	38.00	2.50
22	56.0 <sup>+0.30</sup> <sub>-0.30</sub>	52.4 <sup>+0.20</sup> <sub>-0.20</sub>	16.2 <sup>+0.10</sup> <sub>-0.10</sub>	37.0 <sup>+0.10</sup> <sub>-0.10</sub>	12.6 <sup>+0.10</sup> <sub>-0.10</sub>	9.0 <sup>+0.10</sup> <sub>-0.10</sub>	24.0 <sup>+0.10</sup> <sub>-0.10</sub>	26.2 <sup>+0.15</sup> <sub>-0.15</sub>	1.75 <sup>+0.10</sup> <sub>-0.10</sub>	1.50 <sup>+0.10</sup> <sub>-0.10</sub>	0.5	4.00 <sup>+0.10</sup> <sub>-0.10</sub>	2.00 <sup>+0.10</sup> <sub>-0.10</sub>	31.7	41.00	2.50
24	72.0 <sup>+0.30</sup> <sub>-0.30</sub>	68.4 <sup>+0.20</sup> <sub>-0.20</sub>	16.2 <sup>+0.25</sup> <sub>-0.10</sub>	40.0 <sup>+0.25</sup> <sub>-0.10</sub>	12.6 <sup>+0.25</sup> <sub>-0.10</sub>	9.0 <sup>+0.25</sup> <sub>-0.10</sub>	24.0 <sup>+0.10</sup> <sub>-0.10</sub>	34.2 <sup>+0.15</sup> <sub>-0.15</sub>	1.75 <sup>+0.10</sup> <sub>-0.10</sub>	1.50 <sup>+0.10</sup> <sub>-0.10</sub>	0.5	4.00 <sup>+0.10</sup> <sub>-0.10</sub>	2.00 <sup>+0.15</sup> <sub>-0.15</sub>	34.7	44.00	2.50

1. 10 sprocket hole pitch cumulative tolerance  $\pm 0.20$ mm.
2. Carrier camber not to exceed 1mm in 100mm.
3. A<sub>0</sub> and B<sub>0</sub> measured on a plane 0.3mm above the bottom of the pocket.
4. K<sub>0</sub> measured from a plane on the inside bottom of the pocket to the top surface of the carrier.
5. All dimensions meet EIA-481-2 requirements.
6. Material: Black Anti-static Polystyrene.
7. Thickness:  $0.50 \pm 0.05$  mm.
8. Packing length per 22" reel : 17.5 Meters.
9. Component loaded per 13" reel : 200 pcs.

RoHS Compliant

TOLERANCES ARE

**MORETHANALL**  
PCB CONNECTORS  
Cable ASSEMBLIES

DRAWING BY CY

CHECKED BY GENIUS

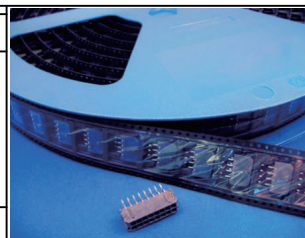
UNIT/mm SCALE 1:1

DATE

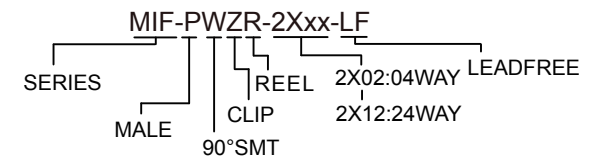
SIZE A4

X,  $\pm$   
X,  $\pm$   
.XX  $\pm$   
.XXX  $\pm$   
ANG  $\pm$

PROJECTION



ORDER INFORMATION



DESCRIPTION:

煜倫股份有限公司

www.morethanall.com