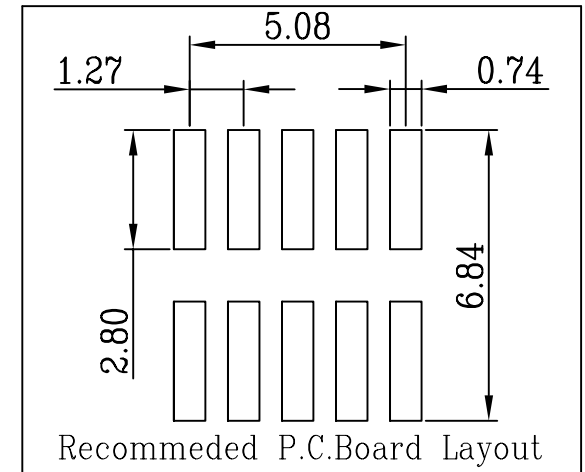
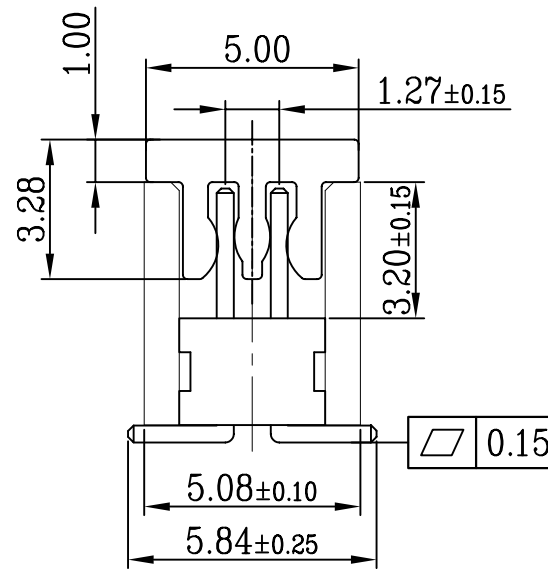
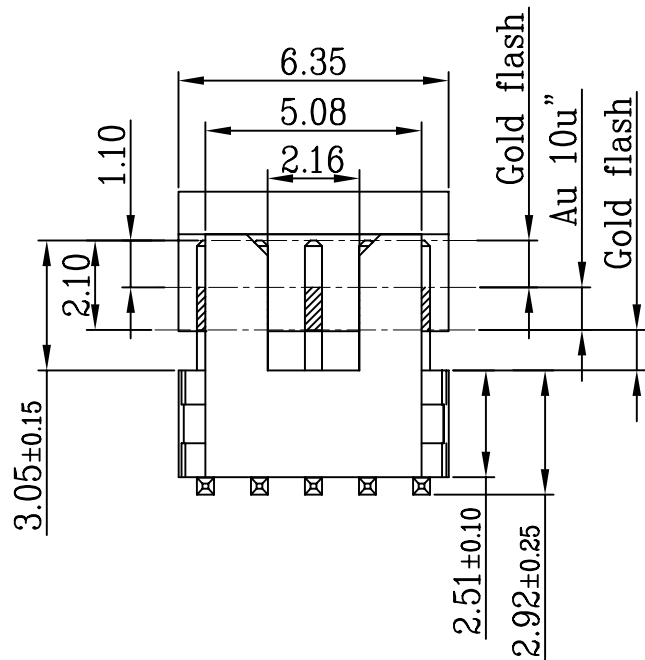
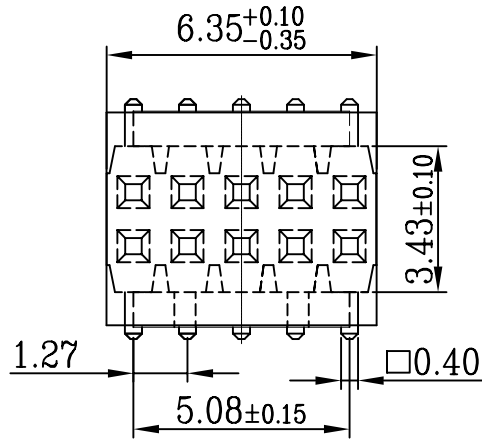


Pin-Header-Strips-Double row for Surface Mount  
Technic and High-Temperature Body 1.27mm pitch

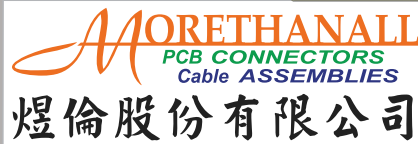
Technical data :

Insulator body	High Temperature Thermoplastic,UL 94V-0
Contact:	0.40mm x 0.40mm
material:	copper alloy
plating:	10u" Au plated on contact area Tin plated on solder area over nickel
Current Rating :	1 Amp
Insulator resistance :	500 Megohms min.
Dielectric withstanding :	AC 500 V for 1 minute
Temperature Rating:	-40°C to +105°C.
Max. processing Temp:	230°C for 30-60 seconds. 260°C for 10 seconds.



RoHS Compliant

TOLERANCES ARE



DRAWING BY CY

X. ± 0.30

CHECKED BY GENIUS

.X ± 0.25

UNIT / mm

SCALE 1 : 1

.XX ± 0.15

DATE

.XXX ± 0.05

ANG ±

SIZE A4

PPOJECTION



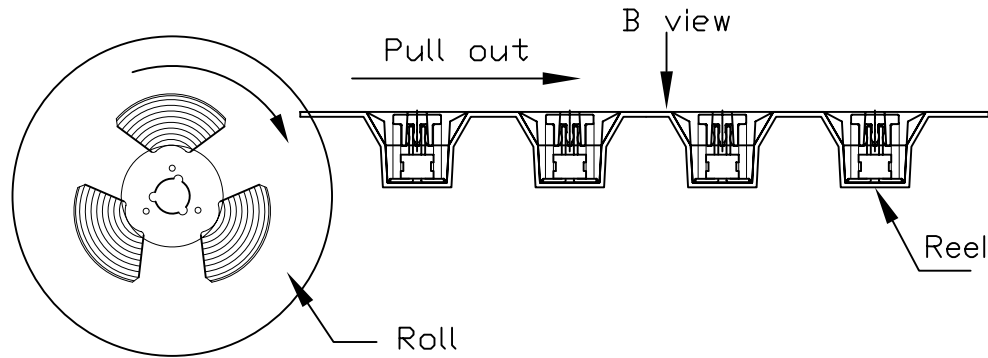
ORDER INFORMATION

PAK-V29X30CR-2X05-LF

SERIES | | | | | LEADFREE  
180°SMT | | | | | 10 WAY  
HIGH 2.92mm | | | | | REEL  
CAP  
CONTACT 3.05mm  
NON POST

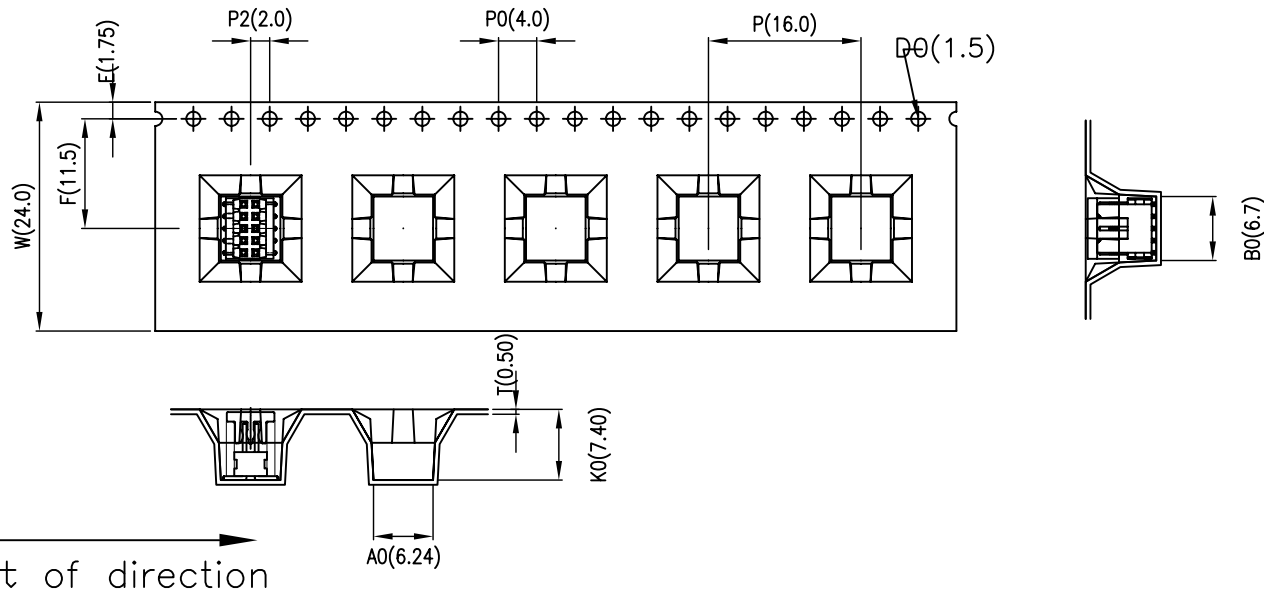
DESCRIPTION:

www.morethanall.com



1. 10 sprocket hole pitch cumulative tolerance  $\pm 0.20$ .
2. Carrier camber is within 1 mm in 100 mm.
3. Material : PS. Color: Black
4. All dimensions meet EIA-481-3 requirements.
5. Thickness :  $0.50 \pm 0.05$ mm.
6. Component load per 13" reel : 550 pcs.
7. RoHS compliant.

B view



ITEM	W	A0	B0	K0	P0	P	P2	F	S	E	D0	T
DIM	$24 \pm 0.30$	$6.24 \pm 0.1$	$6.70 \pm 0.1$	$7.40 \pm 0.1$	$4.0 \pm 0.1$	$16.0 \pm 0.1$	$2.0 \pm 0.1$	$11.5 \pm 0.1$	$0.0 \pm 0.1$	$1.75 \pm 0.1$	$1.5 \pm 0.10$	$0.5 \pm 0.05$

RoHS Compliant

TOLERANCES ARE

**MORETHANALL**  
PCB CONNECTORS  
Cable ASSEMBLIES  
煜倫股份有限公司

DRAWING BY CY

X  $\pm 0.30$

CHECKED BY GENIUS

X  $\pm 0.25$

UNIT / mm

SCALE 1 : 1

.XX  $\pm 0.15$

DATE

.XXX  $\pm 0.05$

ANG  $\pm$

SIZE A4

P PROJECTION



ORDER INFORMATION

PAK-V29X30CR-2X05-LF  
SERIES | | | | | LEADFREE  
180°SMT | | | | | REEL  
HIGH 2.92mm | | | | | CAP  
CONTACT 3.05mm  
NON POST

DESCRIPTION:

www.morethanall.com