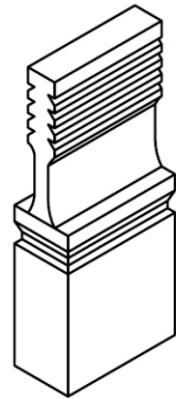


YJ-H-03-LF
 LEADFREE
 RoHS Compliant



Material:

Housing: 30% Glass Filled PBT UL94V-0.

Contacts: Phosphor Bronze.

Electrical Characteristics:

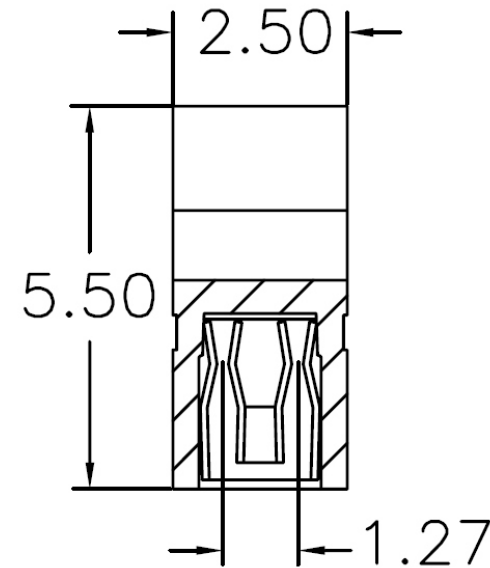
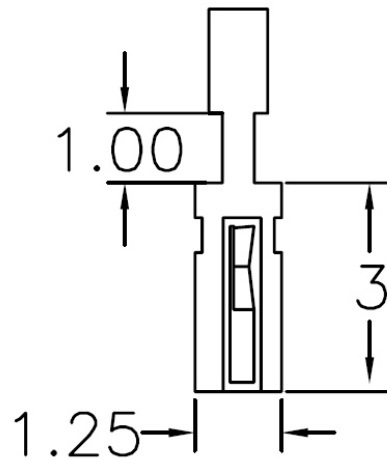
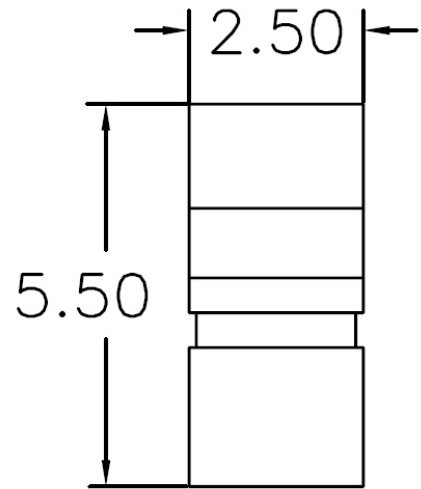
Current Rating: 1 AMP.

Insulator Resistance: 5000MΩ min. at DC 500V.

Contact Resistance: 20mΩ max. at DC 100mA.

Operating Temperature: -55°C~+105°C.

***RoHS Compliant**



PART NO. YJ-H-03

DWG NO. YJ-H-03

FILE NO.

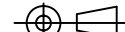
UNIT / mm

SCALE 1:1

CHECKED BY CY

DRAWING BY

PROJECTION



TOLERANCES ARE

.X ± 0.2

.XX ± 0.1

.XXX ±
AWG

DESCRIPTION:

AREA

REVISIONS

HK

DATE

焜倫股份有限公司