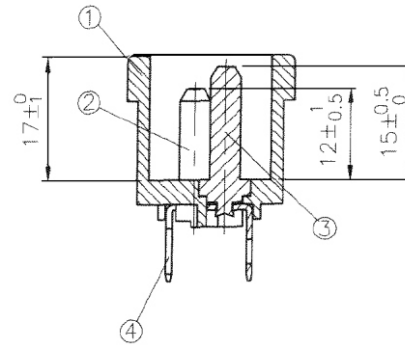
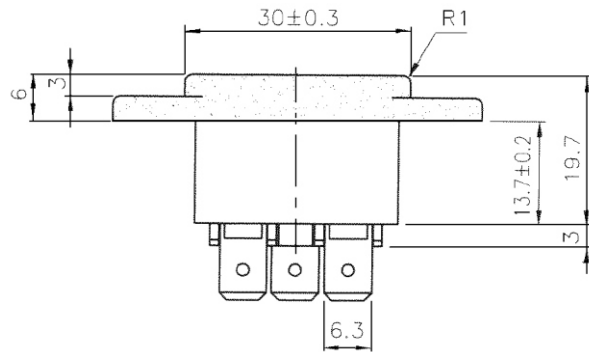
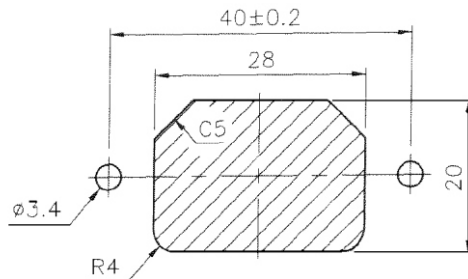


Rating: 15A 250V AC
 Approvals: UL/CSA
 Rating: 10A 250V AC
 Approvals: VDE/DEMKO/NEMKO
 SEV/SEMKO/FIMKO
 KEMA/CCC



ACF-PQ6PEHT-03-LF
 LEADFREE

RoHS Compliant



Mounting inlet flange in front of cover.

4	Soldering PIN-TOP Brass Strip t=0.8mm Tin-Plated	3
3	Soldering PIN Brass Strip t=2mm Tin-Plated	1
2	Contact PIN Brass Strip t=2mm Tin-Plated	2
1	Body Insulator PBT Black Color	1

MORETHANALL
 CONNECTORS
 ASSEMBLIES

煜倫股份有限公司

PART NO. ACF-PQ6PE HT-03

DWG NO. ACF-PQ6PE HT-03

FILE NO.

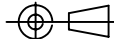
UNIT / mm

SCALE 1:1

CHECKED BY CY

DRAWING BY

PROJECTION



TOLERANCES ARE

.X ± 0.2
 .XX ±
 .XXX ±
 AWG

DESCRIPTION:

AREA

REVISIONS

HK

DATE