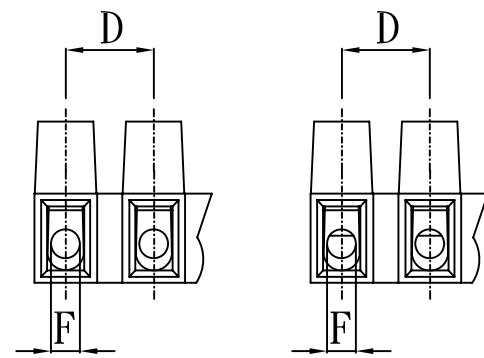
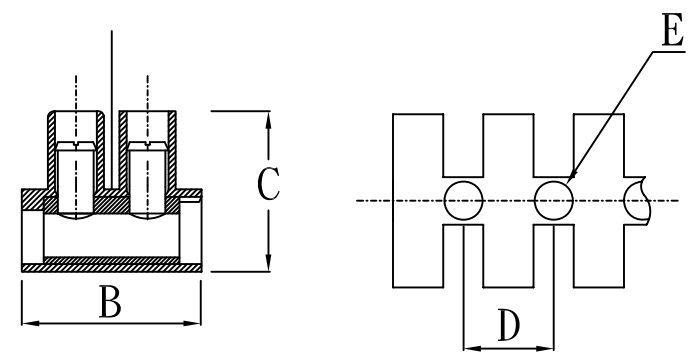


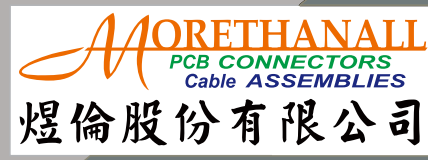
POLE: 1~12 POLES
 HOUSING MATERIAL: NYLON 66 (POLYAMIDE 66)
 FLAMMABILITY: UL94V-2
 WORKING TEMPERATURE: 105°C



Model 型號	PART. NO. 編號	mm2 線徑	Amp 安培	Volt. 電壓	Screw 螺絲	尺寸 Dimensions (mm)					
						A	B	C	D	E	F
8.0mm	TBT080-W-12	1.5	17.5	450	M2.6X5	95.80	16.30	13.30	8.00	2.90	2.80

RoHS Compliant

TOLERANCES ARE



DRAWING BY CY

CHECKED BY GENIUS

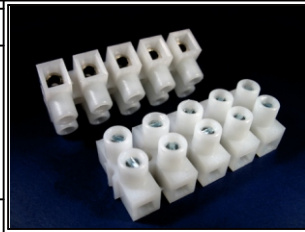
UNIT / mm SCALE 1 : 1

DATE

SIZE A4

X. ±
 .X ±
 .XX ±
 .XXX ±
 ANG ±

PPOJECTION



ORDER INFORMATION

TBT080-W-xx-LF
 SERIES | LEADFREE
 01~12WAY
 WIRE TO WIRE

DESCRIPTION: BLOCK (FLAT BASE TYPE)

煜倫股份有限公司

www.morethanall.com