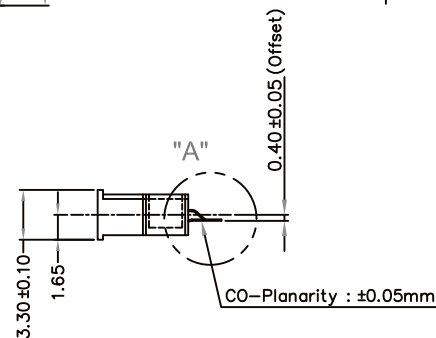
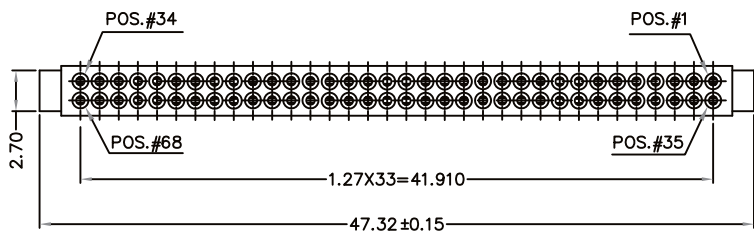


Recommend PCB Layout



Note

1.Material:

Contact—Copper Alloy  
 Grounding Plate—Copper Alloy  
 Housing— High Temp Thermoplastic  
 LCP (UL 94V-0)

2.Plating:

Underplate : 30u"(0.76um)Nickel  
 Solder Tails : 100u"(2.54um)Tin

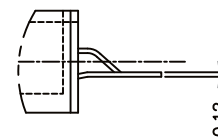
3.Electrical:

Current Rating : 0.5A  
 Insulation Resistance :  $>1 \times 10^9$  ohm at 500 Vdc  
 $>1 \times 10^8$  ohm at 500 Vdc  
 after Environmental Conditioning

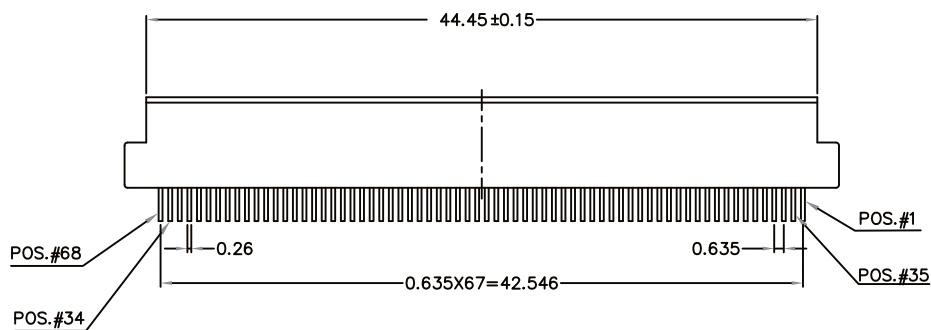
Withstanding Voltage : 500 Vrms at Sea Level

4.Environmental:

Temperature Rating : -10°C to +70°C



DETAIL "A"  
S=5:1



RoHS Compliant

TOLERANCES ARE

**MORETHANALL**  
 PCB CONNECTORS  
 Cable ASSEMBLIES

煜倫股份有限公司

www.morethanall.com

DRAWING BY CY

CHECKED BY GENIUS

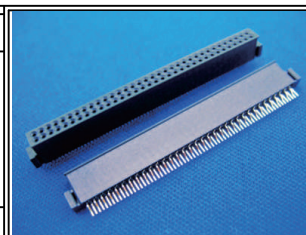
UNIT/ mm SCALE 1:1

DATE

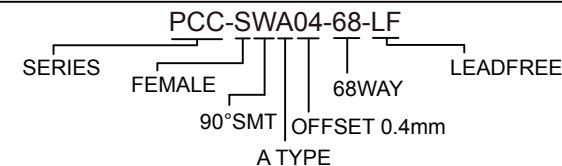
SIZE A4

PJECTION

X, ±  
 .X ±  
 .XX ±  
 .XXX ±  
 ANG ±



ORDER INFORMATION



DESCRIPTION: PC Card 68 pin connect