

PCB Layout

SPECIFICATIONS

Electrical

Current Rating: 1A AC, DC

Voltage Rating: 100V AC DC

Operating Temp: -25°C ~ +85°C

Insulation Resistance: 500MΩ / min.

Withstand Voltage: 500V AC/ min.

Contact Resistance: 20MΩ / max.

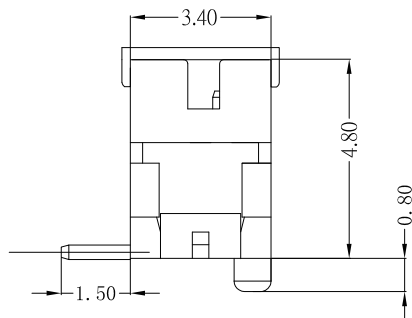
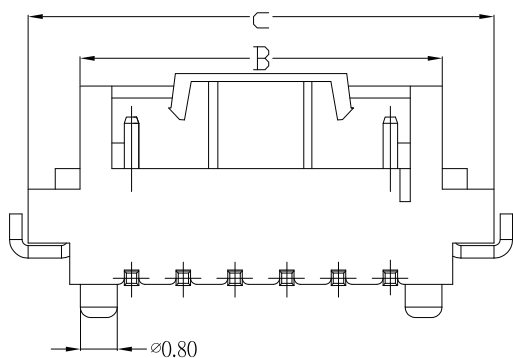
Material

Terminal Material :

PIN : Brass/ Tin-plated

Solder Tabs : Phosphor Bronze/Tin-Plated

Material : Nylon 6T, UL94V-0



Circuit 1	DIMENSIONS			PART NO.	Note.
	A	B	C		
2	1.25	4.15	6.25	DF13-VPCR-1X02	
3	2.50	5.40	7.50	DF13-VPCR-1X03	
4	3.75	6.65	8.75	DF13-VPCR-1X04	
5	5.00	7.90	10.00	DF13-VPCR-1X05	
6	6.25	9.15	11.25	DF13-VPCR-1X06	
7	7.50	10.40	12.50	DF13-VPCR-1X07	
8	8.75	11.65	13.75	DF13-VPCR-1X08	
9	10.00	12.90	15.00	DF13-VPCR-1X09	
10	11.25	14.15	16.25	DF13-VPCR-1X10	
11	12.50	15.40	17.50	DF13-VPCR-1X11	
12	13.75	16.65	18.75	DF13-VPCR-1X12	
13	15.00	17.90	20.00	DF13-VPCR-1X13	
14	16.25	19.15	21.25	DF13-VPCR-1X14	
15	17.50	20.40	22.50	DF13-VPCR-1X15	

RoHS Compliant

TOLERANCES ARE

MORETHANALL
PCB CONNECTORS
Cable ASSEMBLIES

煜倫股份有限公司

www.morethanall.com

DRAWING BY CY

CHECKED BY GENIUS

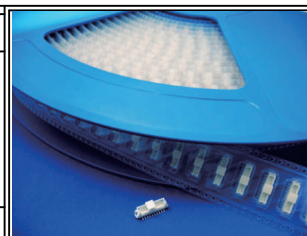
UNIT / mm SCALE 1 : 1

DATE

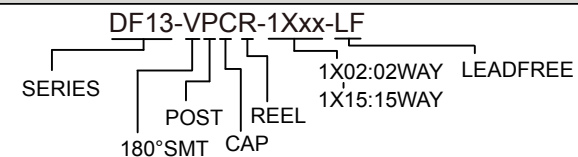
SIZE A4

P PROJECTION

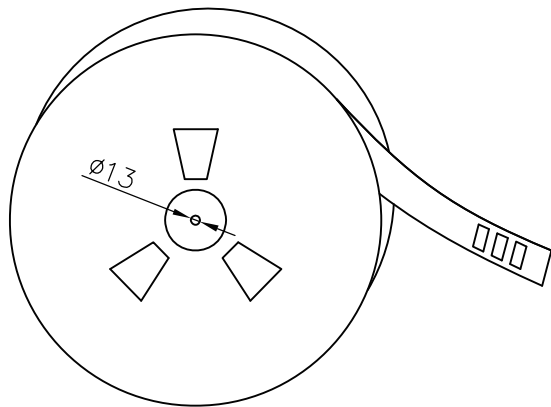
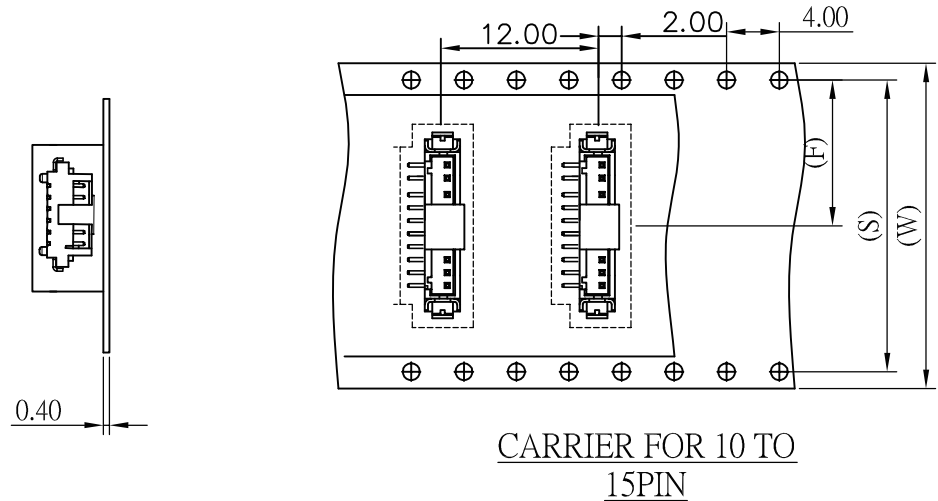
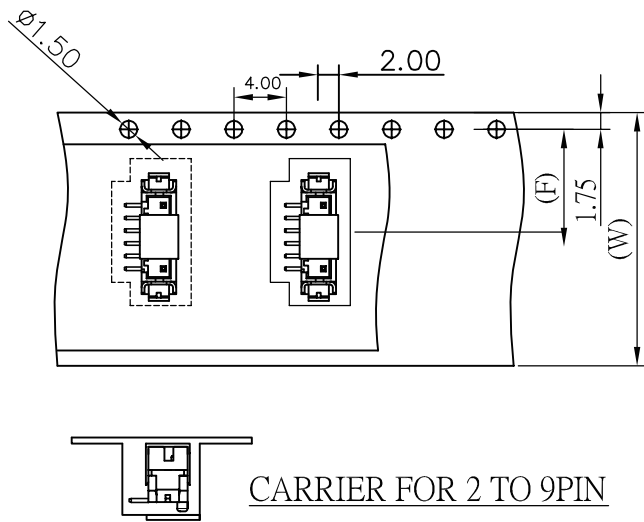
X. ±
.X ±
.XX ±
.XXX ±
ANG ±



ORDER INFORMATION



DESCRIPTION: 1.25mm Wire-to-Board Header SMD 180° TYPE



Number of Contacts	W \pm 0.3	F \pm 0.1	S \pm 0.1	Q'ty/Reel
2P	16	7.50		1,000
3P	24	11.50		1,000
4P	24	11.50		1,000
5P	24	11.50		1,000
6P	24	11.50		1,000
7P	24	11.50		1,000
8P	24	11.50		1,000
9P	24	11.50		1,000
10P	32	14.20		28.40
11P	32	14.20	28.40	1,000
12P	32	14.20	28.40	1,000
13P	32	14.20	28.40	1,000
14P	44	20.20	40.40	1,000
15P	44	20.20	40.40	1,000

RoHS Compliant

TOLERANCES ARE

MORETHANALL
PCB CONNECTORS
Cable ASSEMBLIES

DRAWING BY CY

CHECKED BY GENIUS

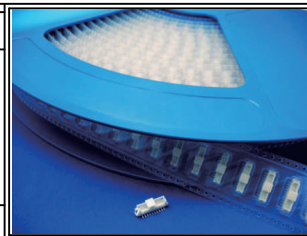
UNIT/mm SCALE 1:1

DATE

SIZE A4

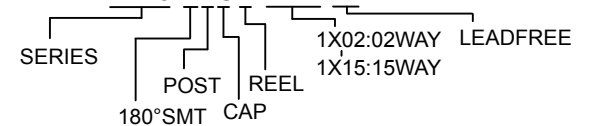
X. \pm
.X \pm
.XX \pm
.XXX \pm
ANG \pm

P PROJECTION



ORDER INFORMATION

DF13-VPGR-1Xxx-LF



DESCRIPTION: 1.25mm Wire-to-Board Header SMD 180° TYPE

煜倫股份有限公司

www.morethanall.com