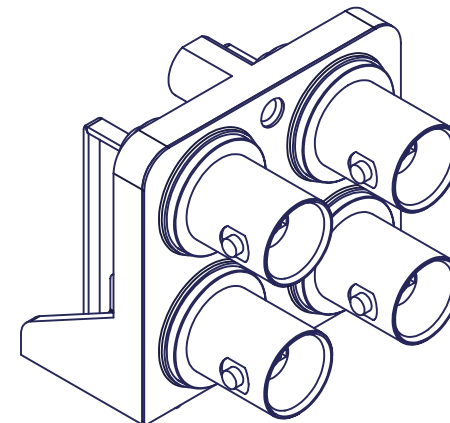
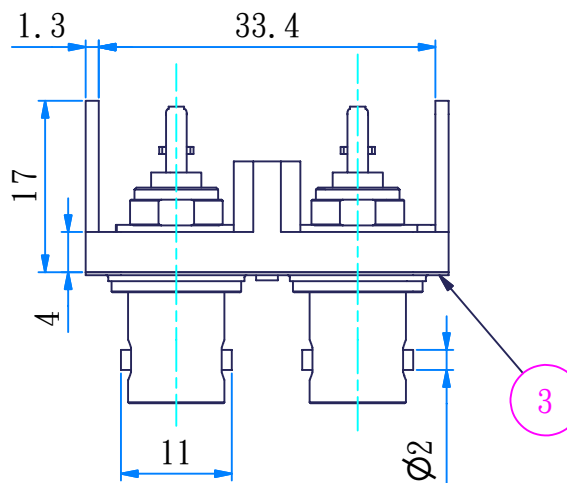


P.C.B LAYOUT



NO	DESCRIPTION	MATERIAL	FINISH	QTY	DRAWING NO
8	STEEL WIRE-04	BRASS	NICKEL	2	
7	STEEL WIRE-03	BRASS	NICKEL	2	
6	STEEL WIRE-02	BRASS	NICKEL	2	
5	INSULATOR	POM	WHITE	4	
4	STEEL WIRE-01	BRASS	NICKEL	2	
3	MOUNT	BRASS	NICKEL	1	
2	BODY	ZINC ALLOY	NICKEL	4	
1	BRACKET	ABS	BLACK	1	

RoHS Compliant

TOLERANCES ARE

**MORETHANALL**  
PCB CONNECTORS  
Cable ASSEMBLIES

DRAWING BY CY

CHECKED BY GENIUS

UNIT / mm

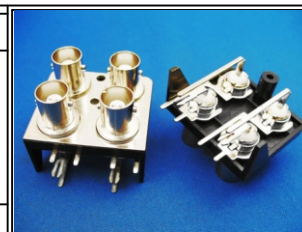
SCALE 1 : 1

DATE

SIZE A4

PJECTION

X, ±  
.X ±  
.XX ±  
.XXX ±  
ANG ±



ORDER INFORMATION

BNCB2-JRE2-50-LF

SERIES | | | LEADFREE  
| | | 50 OHM  
| | | EAR  
| | | DIP 90°  
| | | JACK

煜倫股份有限公司

www.morethanall.com

DESCRIPTION: