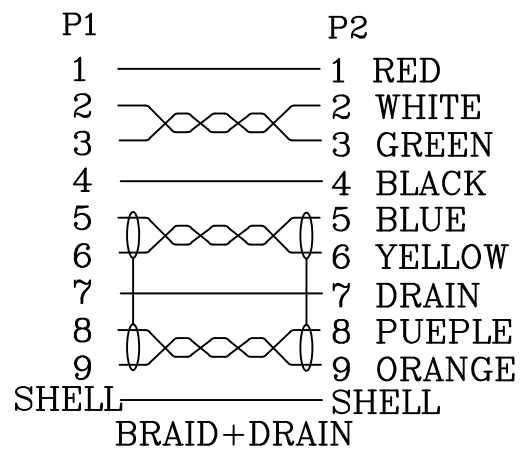


WIRING DIAGRAM



- NOTES:
1. 100% OPEN,SHORT & MISWIRE TESE.
 2. CONDUCTIVE RESISTANCE:2Ω/MAX.
 3. INSULATION RESISTANCE:5MΩ/MIN.AT DC 300V

3	PVC	15	G	45P PVC #BLUE
2	CONNECTOR	2	SET	USB A TYPE MALE 30U" #BLUE USB 3.0
1	CABLE	1500	mm	UL 2725 [7/0.12*1P+(7/0.12*1P+7/0.12+MYLAR)*2C+7/0.12+AL+7/0.12+80/0.1]*1C OD:5.0±0.1mm #BLUE 07-154
NO.	PART NO.	Q'TY	UNITS	DESCRIPTION

RoHS Compliant

TOLERANCES ARE

X.±
.X±
.XX±
.XXX±
ANG±



MORETHANALL
PCB CONNECTORS
Cable ASSEMBLIES

煜倫股份有限公司

www.morethanall.com

DRAWING BY CY	
CHECKED BY GENIUS	
UNIT / mm	SCALE 1 : 1
DATE	
SIZE A4	PJECTION

ORDER INFORMATION

UBX2-9A9A28-M1M5-LF
 SERIES | LEADFREE
 1500mm
 MALE TO MALE
 28 AWG
 9 PIN A TYPE TO 9 PIN A TYPE

DESCRIPTION: 3.0 USB CABLE L:1.5M BLUE