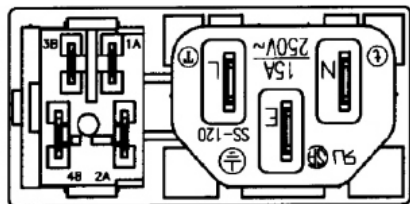
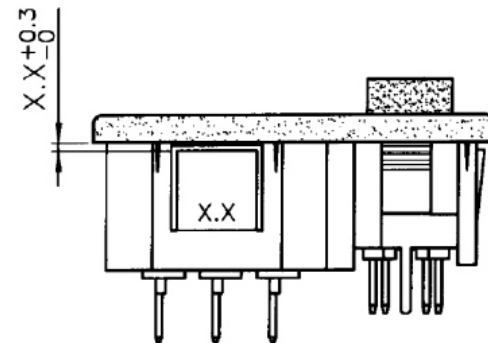
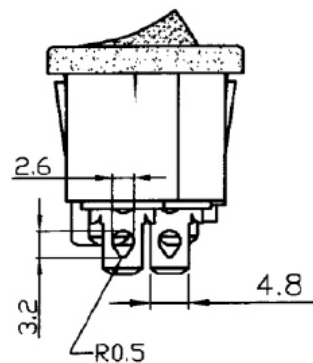
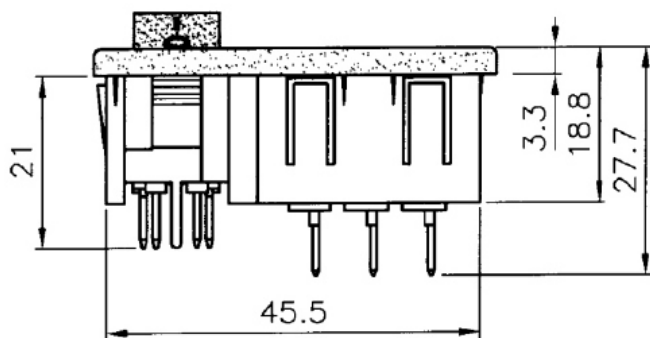
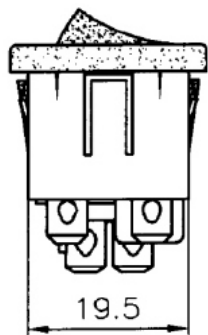


Part No.	X
ACF-PQ4SWH08-03	0.8
ACF-PQ4SWH10-03	1.0
ACF-PQ4SWH15-03	1.5
ACF-PQ4SWH20-03	2.0

PANEL CUTOUT



SOCKET  
 Rating:15A 250V AC  
 Approvals:UL/CSA  
 Rating:10A 250V AC  
 Approvals:VDE/KEMA/DEMKO/  
 NEMKO/SEV/FIMKO/  
 SEMKO/CCC

SWITCH  
 Rating:10A 250V AC 1/3HP TV-5  
 Approvals:UL/CSA  
 Rating:8A/80A 250V AC T85  
 10(4)A 250V AC T85  
 Approvals:VDE/DEMKO/NEMKO/  
 FIMKO/SEMKO/CQC/KTL

ACF-PQ4SWHxx-03-LF  
 XX=08 LEADFREE  
 20

RoHS Compliant

**MORETHANALL**  
 CONNECTORS  
 ASSEMBLIES

PART NO. ACF-PQ4SWHxx-03

DWG NO. ACF-PQ4SWHxx-03

CHECKED BY CY

TOLERANCES ARE

DESCRIP TION:

FILE NO.

DRAWING BY

.X ± 0.2  
 .XX ±  
 .XXX ±  
 AWG

AREA

REVISIONS

HK

DATE

煜倫股份有限公司

UNIT / mm

SCALE 1:1

PROJECTION

