

Material:

Housing: High Temperature Plastic UL94V-0.

Contacts: Brass.

Electrical Characteristics:

Current Rating: 1 AMP.

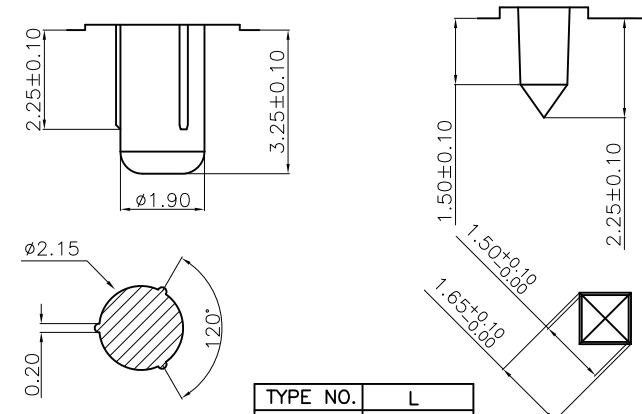
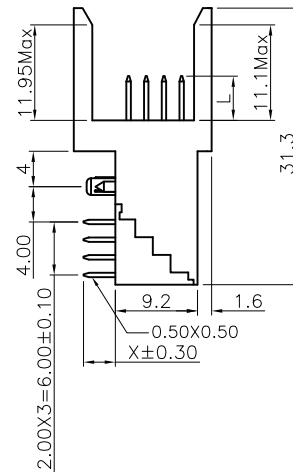
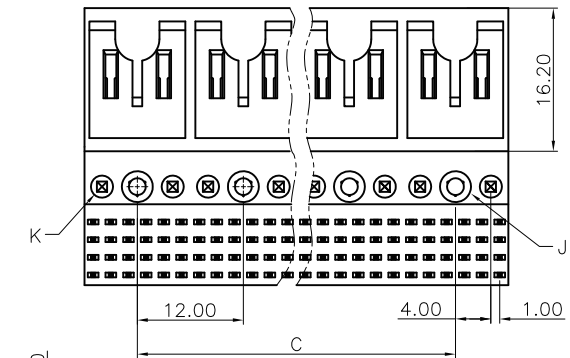
Dielectric Withstanding Voltage: AC 1000V For 1 minute.

Insulator Resistance: 1000MΩ min. at DC 500V.

Contact Resistance: 30mΩ max. at DC 100mA.

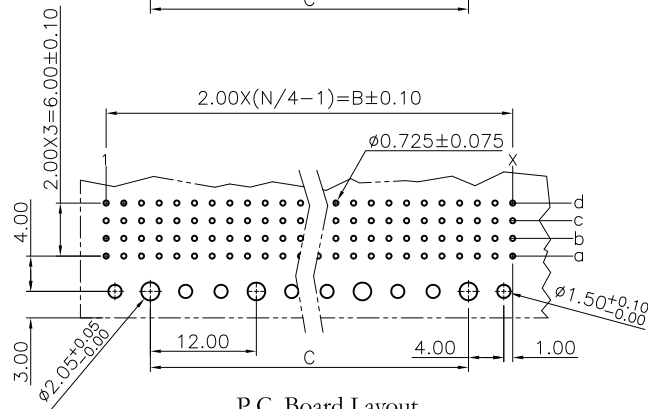
Operating Temperature: -65°C ~+125°C .

***RoHS Compliant**



TYPE NO.	L
50	5.00
57	5.75
65	6.50
72	7.25
80	8.00

DIP LENGHT(X)	02	2.90	
	03	3.53	
Part NO.	A	B	C
FUB-PRxxyy-4X06	11.95	10.0	0.0
FUB-PRxxyy-4X12	23.95	22.0	12.0
FUB-PRxxyy-4X18	35.95	34.0	24.0
FUB-PRxxyy-4X24	47.95	46.0	36.0
FUB-PRxxyy-4X30	59.95	58.0	48.0
FUB-PRxxyy-4X36	71.95	70.0	60.0
FUB-PRxxyy-4X42	83.95	82.0	72.0
FUB-PRxxyy-4X48	95.95	94.0	84.0



P.C. Board Layout
(Tolerance:±0.05)

RoHS Compliant

TOLERANCES ARE



煜倫股份有限公司

www.morethanall.com

DRAWING BY CY

CHECKED BY GENIUS

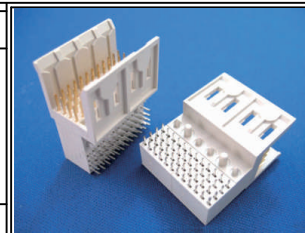
UNIT/ mm SCALE 1:1

DATE

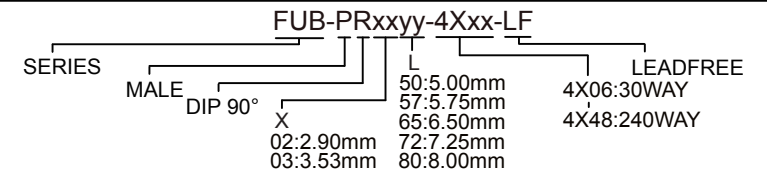
SIZE A4

X. ±
.X ±
.XX ±
.XXX ±
ANG ±

PJECTION



ORDER INFORMATION



DESCRIPTION: