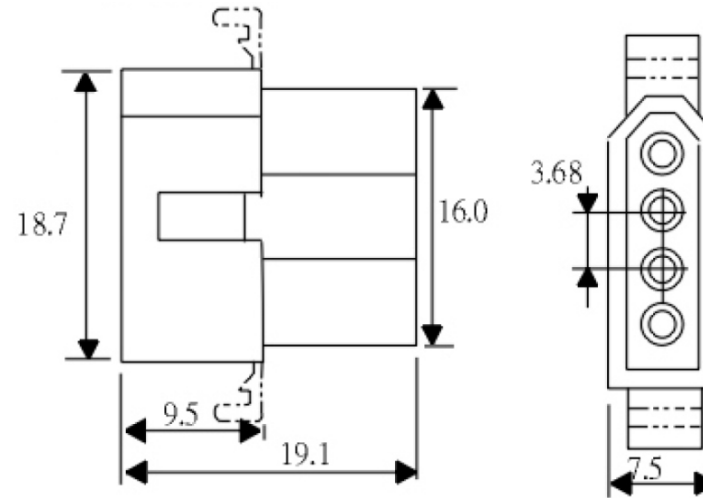
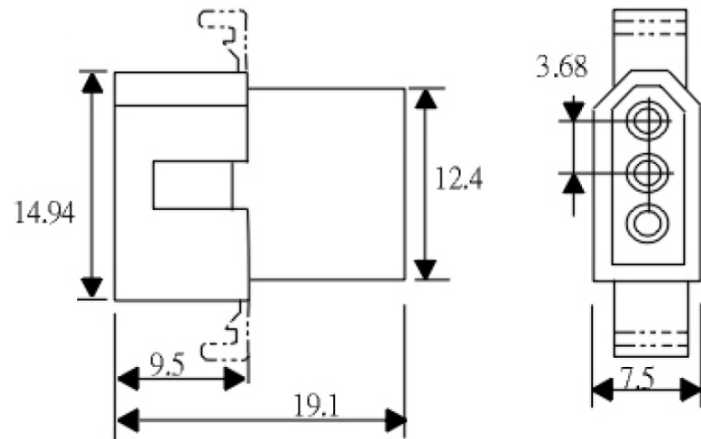


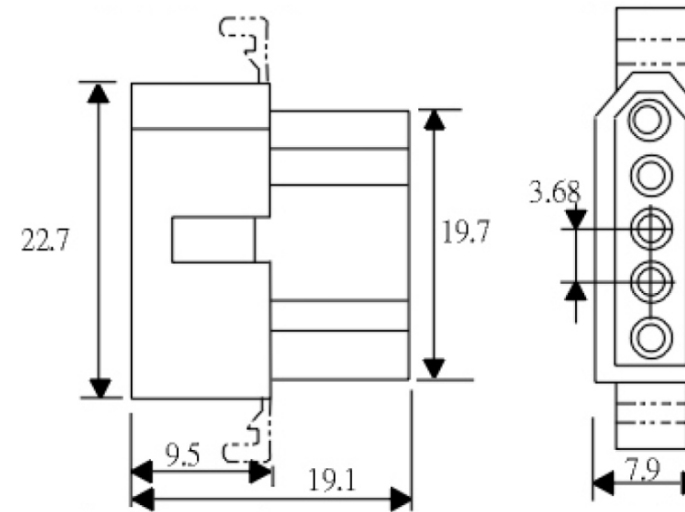
PS-PE-1X02



PS-PE-1X04



PS-PE-1X03



PS-PE-1X05

RoHS Compliant

TOLERANCES ARE

**MORETHANALL**  
PCB CONNECTORS  
Cable ASSEMBLIES

煜倫股份有限公司

www.morethanall.com

DRAWING BY CY

CHECKED BY GENIUS

UNIT / mm

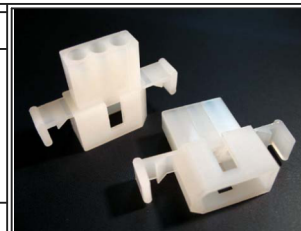
SCALE 1 : 1

DATE

SIZE A4

PPOJECTION

X, ±  
.X ±  
.XX ±  
.XXX ±  
ANG ±



ORDER INFORMATION

PS-PE-1Xxx-LF  
SERIES | LEADFREE  
1X02:02 WAY  
1X05:05 WAY  
EAR  
MALE HOUSING

DESCRIPTION: