

NOTES:

1.0 SPECIFICATIONS:

- 1.1 CONTACT CURRENT RATING: 1.0 AMPERES
- 1.2 DIELECTRIC WITHSTANDING VOLTAGE: AC 500 VOLTAGE R.M.S
- 1.3 HOUSING RESISTANCE: 1,000 MEGOHMS MINIMUM
- 1.4 CONTACT RESISTANCE: 35 MILLIOHMS MAXIMUM
- 1.5 OPERATING TEMPERATURE: -55°C TO +60°C
- 2.0 MATERIALS:
- 2.1 HOUSING: THERMOPLASTIC, GLASS-FIBER FILLED IN UL 94V-0 RATED, COLOR TO BE BLACK
- 2.2 CONTACT: PHOSPHOR BRONZE
- 2.3 SHELL: STEEL
- 2.4 TERMINATION COVER: THERMOPLASTIC, GLASS-FIBER FILLED IN UL 94V-0 RATED, COLOR TO BE BLACK

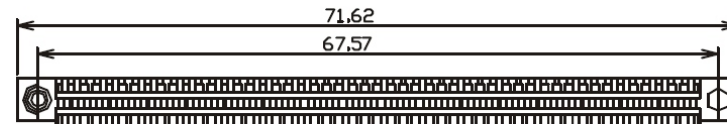
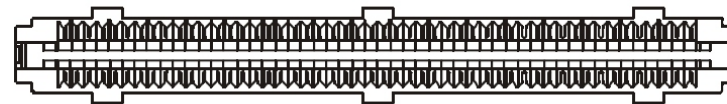
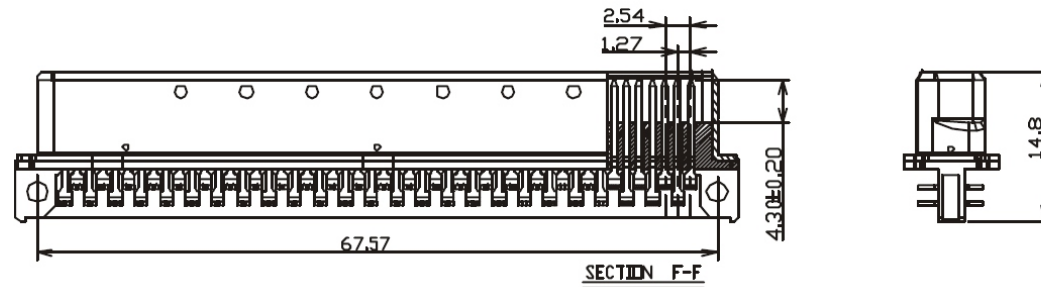
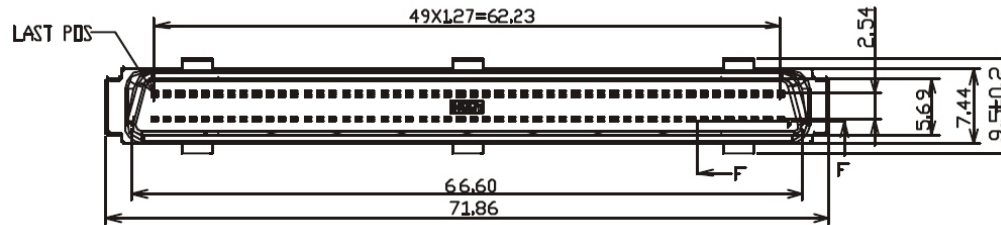
3.0 FINISH:

- 3.1 CONTACT: SELECTIVE GOLD PLATING
- 3.2 SHELL: NICKEL OVER COPPER

4.0 OTHERS:

- 4.1 RECOMMENDED WIRE: 26 AWG OR 28 AWG OR 30 AWG, SOLID OR 7 STRAND, WITH A INSULATION DIAMETER FROM 0.74-0.91 mm.
- 4.2 TERMINATING COVERS ARE PACKAGED SEPARATELY.

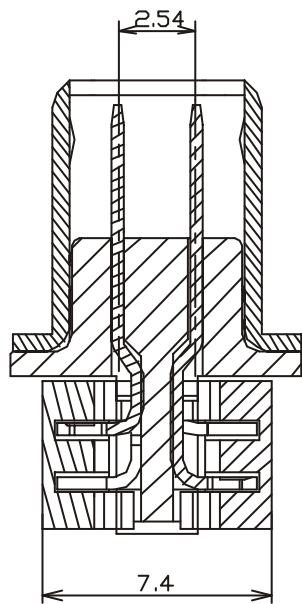
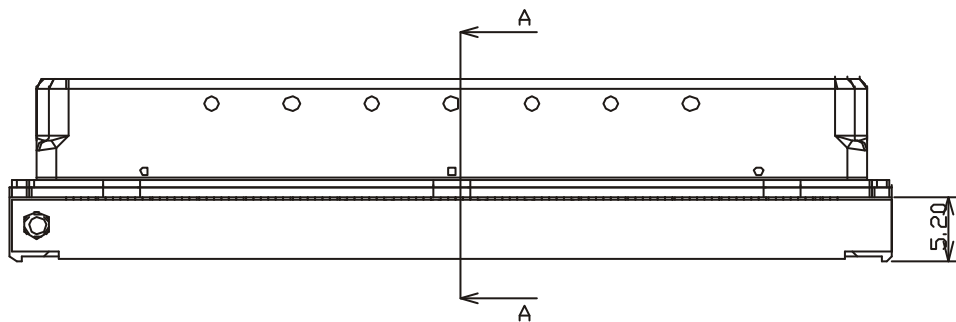
HPD-PI-100-LF
LEADFREE
RoHS Compliant



MORETHANALL
CONNECTORS
ASSEMBLIES

PART NO. HPD-PI-100		CHECKED BY CY		TOLERANCES ARE .X ± 0.2 .XX ± 0.1 .XXX ± AWG		DESCRIPTION: HALF-PITCH PIN TYPE SERIES, 100 POS. CABLE PLUG CONNECTOR			
DWG NO. HPD-PI-100		DRAWING BY							
FILE NO.		DRAWING BY		AREA		REVISIONS			
UNIT / mm		SCALE 1:1		PROJECTION		HK		DATE	

煜倫股份有限公司



SECTION A-A
SCALE 5:1

DETAIL A (SCALE 10:1)

TYPE 1	TYPE 2
RECOMMENDATION: USED ON 26&28 AWG P/N: HPD-PI26-100	RECOMMENDATION: USED ON 30 AWG P/N: HPD-PI30-100

MORETHANALL
CONNECTORS
ASSEMBLIES

PART NO. HPD-PI-100

DWG NO. HPD-PI-100

CHECKED BY CY

TOLERANCES ARE

DESCRIPTION:

HALF-PITCH PIN TYPE SERIES,
100 PDS. PLUG CONNECTOR

焯倫股份有限公司

FILE NO.

DRAWING BY

.X ± 0.2
.XX ± 0.1
.XXX ±
AWG

AREA

REVISIONS

HK

DATE

UNIT / mm

SCALE 1:1

PROJECTION

