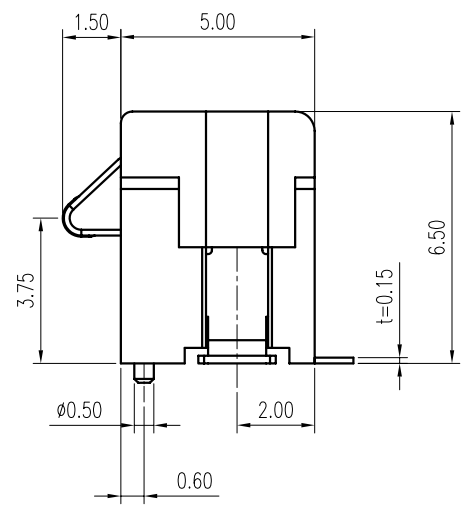
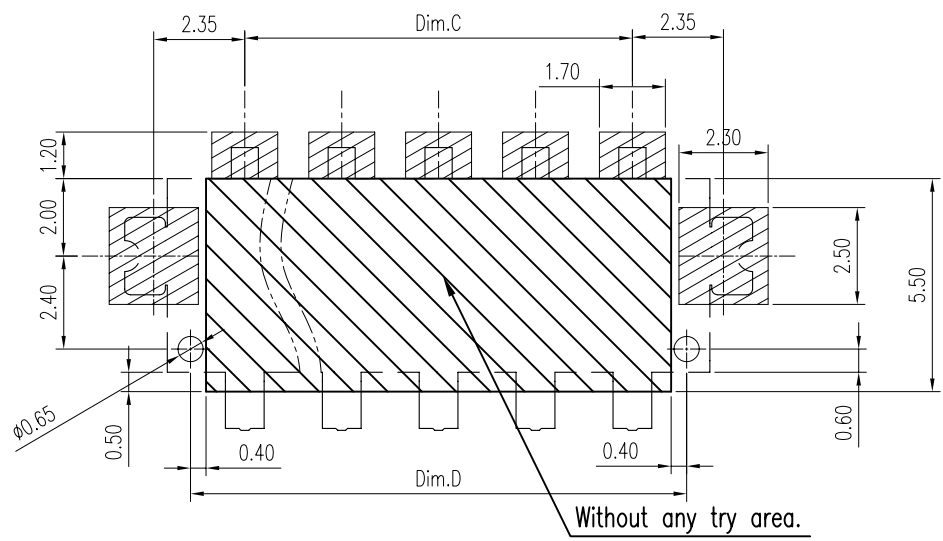
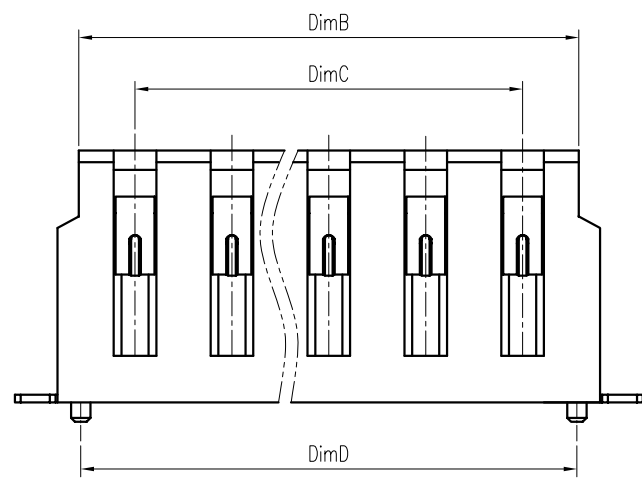
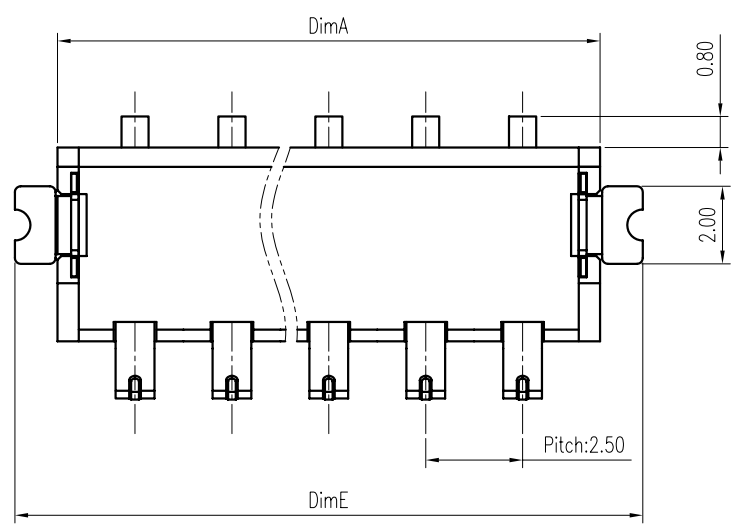


1 2 3 4 5 6 7 8 9 0

J
I
H
G
F
E
D
C
B
A



Notes:

1. Material :
 Housing : Thermoplastic UL 94V-0 , Black
 Terminal : Copper Alloy
 Latch : Copper Alloy
2. Finish :
 Terminal : Selected Gold on Contact Area, Gold Flash on Solder Tails, Both over 50u" Min. Ni Under-plated Overall
 Latch : Tin Plating overall 50u" Min., Nickel 50u" Min. Under-plated Overall.

Dimension Information:

| Part No. | Dim. | Dim.A | Dim.B | Dim.C | Dim.D | Dim.E |
|---------------|------|-------|-------|-------|-------|-------|
| BCS25-W65P-03 | | 9.00 | 7.90 | 5.00 | 7.80 | 11.20 |
| BCS25-W65P-04 | | 11.50 | 10.40 | 7.50 | 10.30 | 13.70 |
| BCS25-W65P-05 | | 14.00 | 12.90 | 10.00 | 12.80 | 16.20 |
| BCS25-W65P-06 | | 16.50 | 15.40 | 12.50 | 15.30 | 18.70 |
| BCS25-W65P-07 | | 19.00 | 17.90 | 15.00 | 17.80 | 21.20 |
| BCS25-W65P-08 | | 21.50 | 20.40 | 17.50 | 20.30 | 23.70 |

BCS25-W65P-xx-LF
LEADFREE



PART NO. BCS25-W65P-xx

DWG NO. BCS25-W65P-xx

FILE NO.

UNIT / mm

SCALE 1:1

CHECKED BY CY

DRAWING BY

PROJECTION

TOLERANCES ARE

.X ± 0.2
.XX ± 0.1
.XXX ± .015
AWG

DESCRIP TION:
AREA

2.5mm Pitch Battery Conn.
Male Type
REVISIONS
HK
DATE

煜倫股份有限公司