

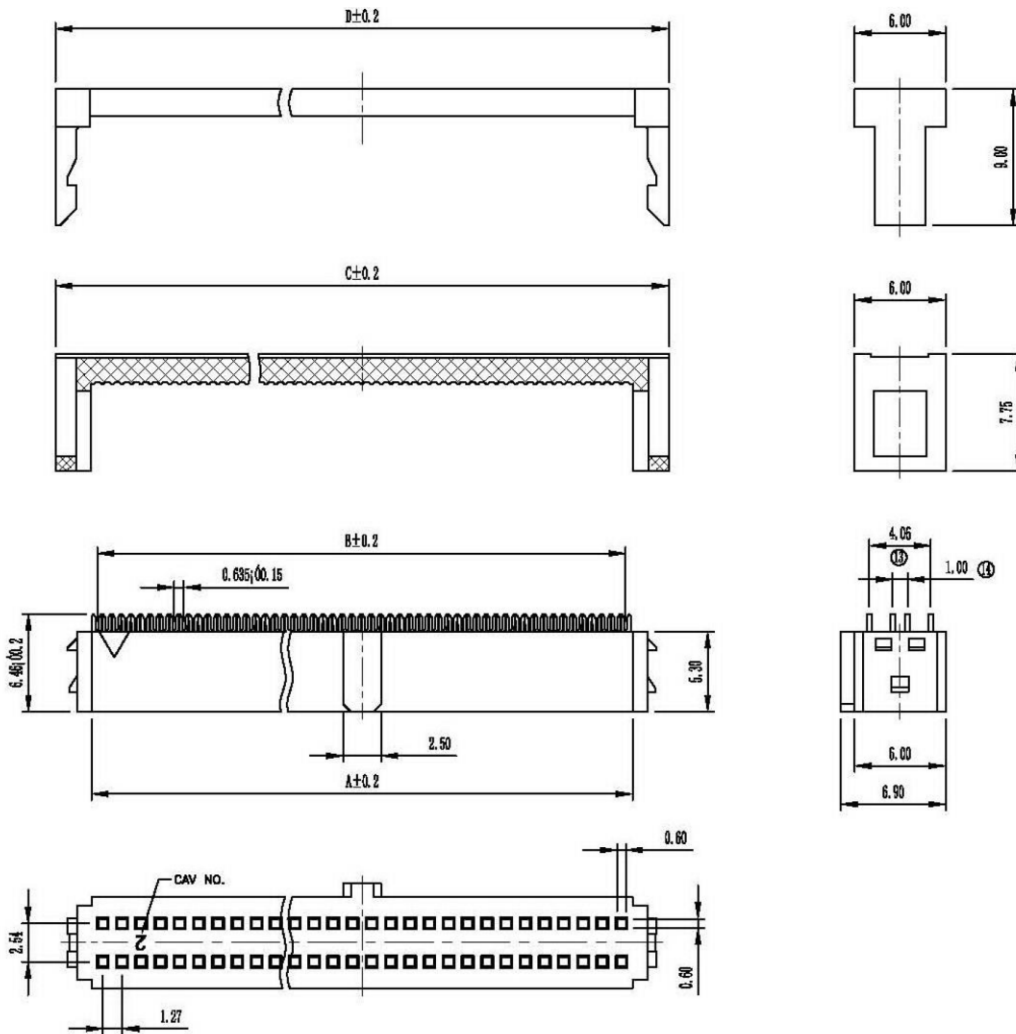
**MATERIALS:**

- 1.HOUSING:PBT(UL 94V-0) BLACK
- 2.TERMINAL:COPPER ALLOY GOLD FLASH PLATING ON CONTACT AREA UNDER PLATING NICKEL. (t=0.30mm)

**SPECIFICATION:**

- 1.CURRENT RATING:1 AMP. MAX.
- 2.DIELECTRIC WITHSTANDING VOLTAGE:500V AC P.M.S. FOR ONE MINUTE.
- 3.INSULATION RESISTANDING:500M OHMS MIN.AT 50V DC
- 4.CONTACT RESISTANCE:30m OHMS MAX.
- 5.OPERATING TEMPERATURE: -40°C TO +85°C.

100	63.60	62.865	68.40	68.40
80	50.90	50.165	55.70	55.70
68	43.28	42.545	48.08	48.08
60	38.20	37.465	43.00	43.00
50	31.85	31.115	36.65	36.65
44	28.04	27.305	32.84	32.84
40	25.50	24.765	30.30	30.30
34	21.69	20.955	26.49	26.49
30	19.15	18.415	23.95	23.95
26	16.61	15.875	21.41	21.41
22	14.07	13.335	18.87	18.87
20	12.80	12.065	17.60	17.60
16	10.26	9.525	15.06	15.06
14	8.99	8.255	13.79	13.79
10	6.45	5.715	11.25	11.25
PIN數	A	B	C	D
	尺寸			



**RoHS Compliant**

TOLERANCES ARE

**MORETHANALL**  
PCB CONNECTORS  
Cable ASSEMBLIES

DRAWING BY CY

X. ± 0.30

CHECKED BY GENIUS

.X ± 0.20

UNIT / mm

SCALE 1 : 1

.XX ± 0.10

DATE

.XXX ± 0.03

ANG ±

SIZE A4

PPOJECTION



**ORDER INFORMATION**

HF-C3S-xxx-LF  
SERIES | LEADFREE  
010~100WAY  
0.635mm CABLE  
THREE TYPE

**煜倫股份有限公司**

www.morethanall.com

DESCRIPTION: