

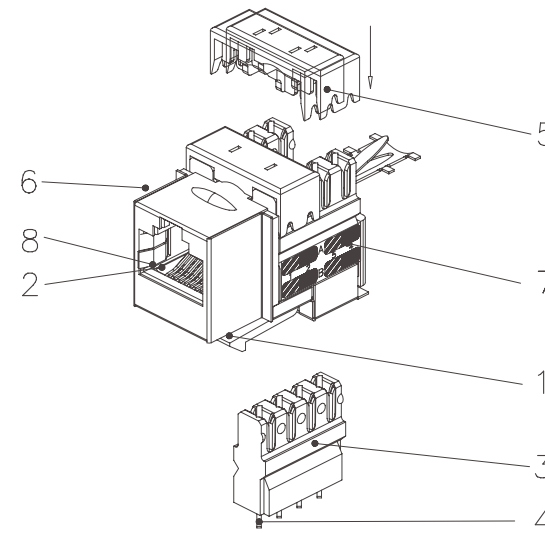
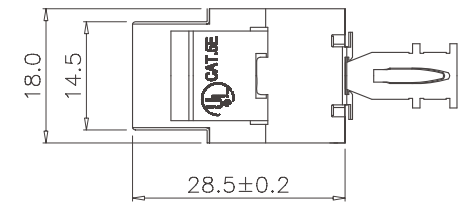
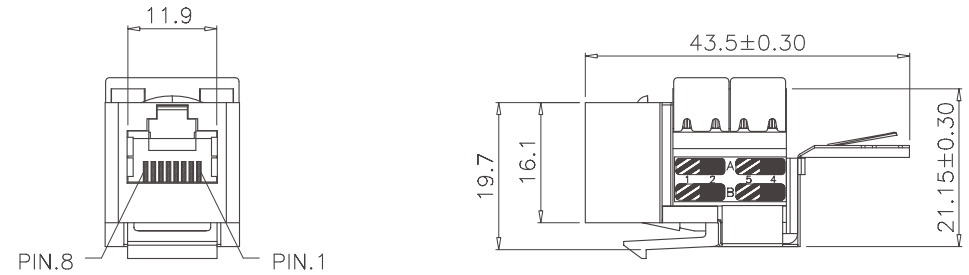
Specifications :

Material :

1. RJ45 Jack Housing : ABS+PC, UL 94V-0.
2. RJ45 Jack Contact material & finished :
 - 2-1. Contact Material : Phosphor Bronze with 50-60 micro-inch Nickel plated.
 - 2-2. Contact area : Min. 3mm 50 micro-inch Gold plated.
3. IDC Housing : PC+5%GF, UL 94V-2.
4. IDC Terminal material & finished :
 - 4-1. Phosphor Bronze with 50-60 micro-inch Tin plated.
 - 4-2. Compatible with both 110 & Krone punch down tools.
 - 4-3. Suitable for 22-26 AWG stranded and solid wire.
5. IDC CAP : ABS, UL 94-HB.
6. Shield : Bronze with Nickel plated.
7. IDC Bracket : ABS, UL94V-0.
8. Jack Insert : PBT+15%GF, UL94V-0.

Performance :

- a. The sticker color codes combine two wirings of T568A & T568B.
- b. Insertion Force : 900 gm for 8 contacts.
- c. Retention Strength : 7.7 kg between Jack and Plug.
- d. Operating Temperature : -20°C to 70°C.
- e. Durability :
 - e-1. Jack : 750 cycles Plug-Jack mating and unmating test, Insertion cycles at 20 cycles/minute max. Contact resistance test per 100 cycles.
 - e-2. IDC : Max. 200 punching times.
- f. The Cat.5e performance is in compliance with the ANSI/TIA/EIA 568 B.2 standard.



IDC(KDA)
Krone 45°-110 Dual
SCALE 1/1

RoHS Compliant

TOLERANCES ARE

MORETHANALL
PCB CONNECTORS
Cable ASSEMBLIES

煜倫股份有限公司

www.morethanall.com

DRAWING BY CY

CHECKED BY GENIUS

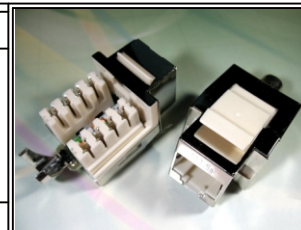
UNIT / mm SCALE 1 : 1

DATE

SIZE A4

X, ±
.X ±
.XX ±
.XXX ±
ANG ±

PPOJECTION



ORDER INFORMATION

MJK16C5E-TWH50-0808-LF

SERIES

LEADFREE

8P8C

50u" GOLD

HOOK

WHITE

IDT

DESCRIPTION: Cat.5e Half Shielded, KRONE Dual IDC