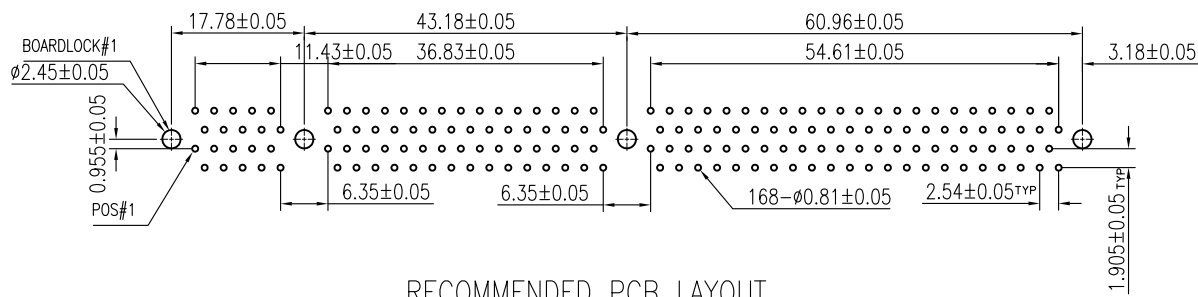


NOTE:

- MATERIAL:
HOUSING: HIGH TEMPERATURE PLASTIC, GLASS FIBER FILLED, UL 94V-0, COLOR: BLACK
CLIP: BRASS
CONTACT: PHOSPHOR BRONZE OR BRASS
- THE INDICATED MARK SHOULD BE CLEARLY VISIBLE.
- PLATING: CONTACT MARK AREA - GOLD PLATING
SOLDER TAIL - TIN
UNDER PLATING - OVER NICKEL
- ROHS COMPLIANCE PRODUCT.

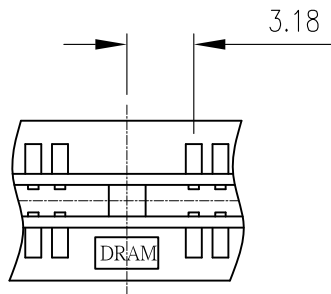


DIM-DZ3-168-LF
LEADFREE

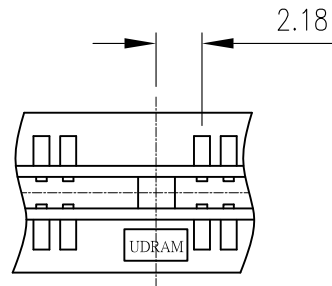
RoHS Compliant

RECOMMENDED PCB LAYOUT

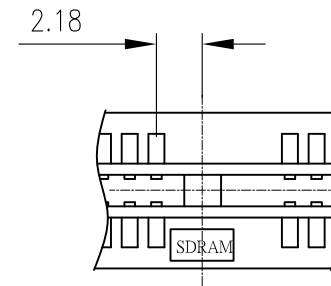
	PART NO. DIM-DZ3-168		CHECKED BY CY	TOLERANCES ARE .X ± 0.2 .XX ± .XXX ± AWG	DESCRIP TION: DIMM SOCKET 168POS			
	DWG NO. DIM-DZ3-168				DRAWING BY	AREA	REVISIONS	HK
	FILE NO.		PROJECTION					
	UNIT / mm	SCALE 1:1						



CENTERED

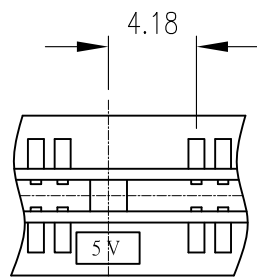


OFFSET RIGHT

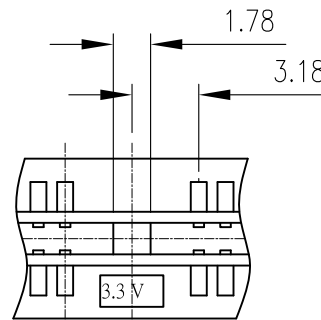


OFFSET LEFT

A DETAIL
FUNCTION KEY OPTIONS



OFFSET LEFT



CENTERED

B DETAIL
VOLTAGE KEY OPTIONS

MORETHANALL
CONNECTORS
ASSEMBLIES

煜倫股份有限公司

PART NO. DIM-DZ3-168

DWG NO. DIM-DZ3-168

FILE NO.

UNIT / mm

CHECKED BY CY

DRAWING BY

PROJECTION

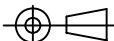
SCALE 1:1

TOLERANCES ARE

.X ± 0.2

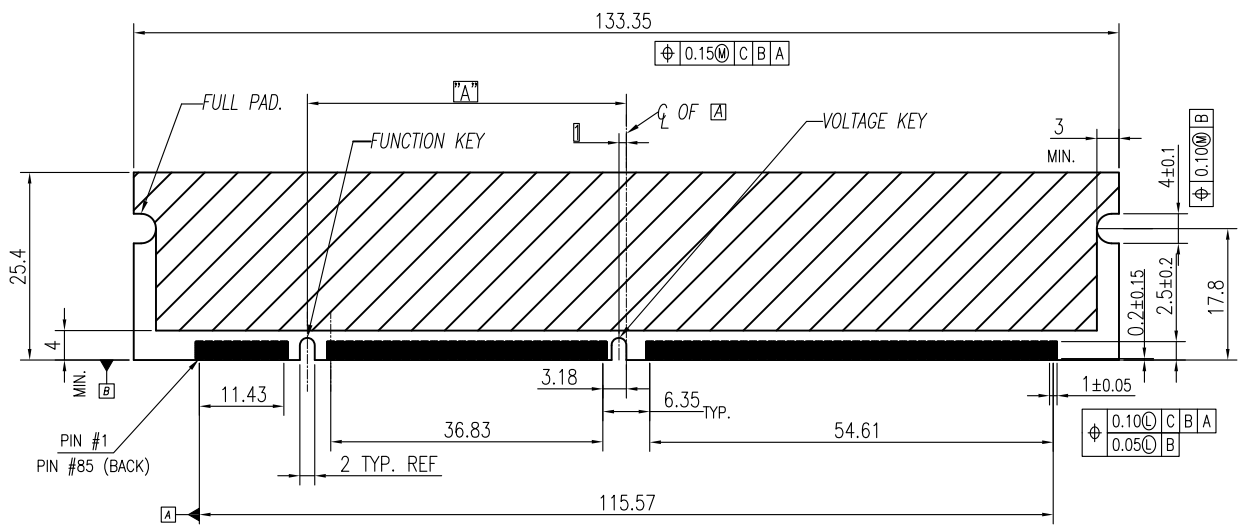
.XX ±

.XXX ±
AWG



DESCRIPTION: DIMM SOCKET 168PDS

AREA	REVISIONS	HK	DATE

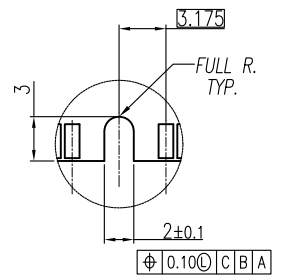


DESCRIPTION	FUNCTION KEY	VOLTAGE KEY	DIM "A"
5.0 VOLT STD DRAM	CENTER	OFFSET LEFT	43.18

SEE NOTE 1.

NOTE:

1. STRAIGHTNESS OF MODULE APPLIES TO THE AREA FROM THE BOTTOM OF THE CARD UP 4.00mm.
2. IF TIE BARS ARE ATTACHED TO PADS, THE TIE BAR SHOULD BE ON AN INTERNAL LAYER, SO THAT THE REMNANT CANNOT CAUSE DAMAGE TO THE CONTACTS.
3. TOLERANCE: $.00+/-0.13$.



CENTERED KEY

	PART NO. DIM-DZ3-168		CHECKED BY CY	TOLERANCES ARE .X ± 0.2 .XX ± .XXX ± AWG	DESCRIPTION:			
	DWG NO. DIM-DZ3-168							
	FILE NO.		PROJECTION	AREA	REVISIONS	HK	DATE	
	UNIT / mm	SCALE 1:1						