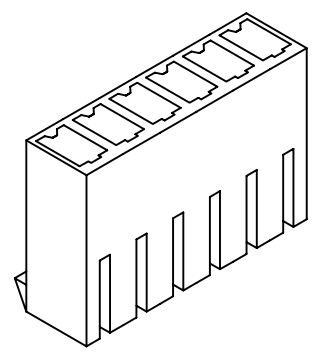
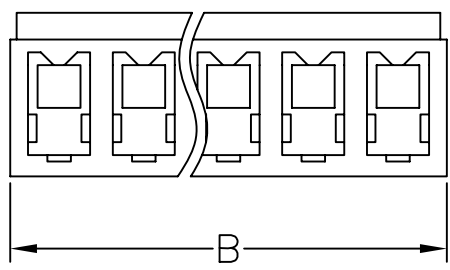
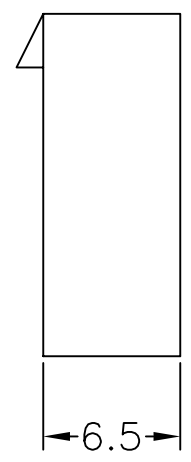
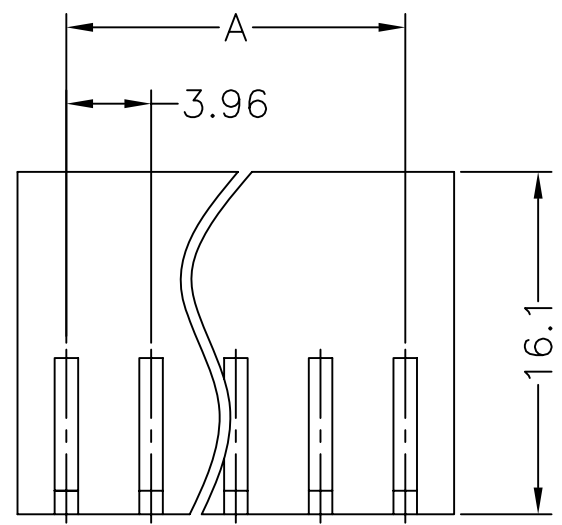


1 2 3 4 5 6 7 8 9 0

J
I
H
G
F
E
D
C
B
A



MATERIAL: NYLON 66.UL94V-2
CURRENT RATING: 7A
VOLTAGE RATING: 250V/AC



CIRCUITS	PART NO	DIMENSION	
		A	B
2	KK-H-02	3.96	8.62
3	KK-H-03	7.92	12.58
4	KK-H-04	11.88	16.54
5	KK-H-05	15.84	20.50
6	KK-H-06	19.80	24.46
7	KK-H-07	23.76	28.42
8	KK-H-08	27.72	32.38
9	KK-H-09	31.68	36.34
10	KK-H-10	35.64	40.30
11	KK-H-11	39.60	44.26
12	KK-H-12	43.56	48.22
13	KK-H-13	47.52	52.18
14	KK-H-14	51.48	56.14
15	KK-H-15	55.44	60.10
16	KK-H-16	59.40	64.06
17	KK-H-17	63.36	68.02
18	KK-H-18	67.32	71.98
19	KK-H-19	71.28	75.94
20	KK-H-20	75.24	79.90

KK-H-xx-LF
LEADFREE

RoHS Compliant



PART NO. KK-H-xx

DWG NO. KK-H-xx

FILE NO.

UNIT / mm

APPROVED BY CY

DRAWING BY

SCALE 1:1

PROJECTION



A尺寸公差如下
2P~10P±0.10m/m
11P~20P±0.20m/m

DESCRIPTION:
AREA

3.96mmCONNECTOR HOUSING
REVISIONS
HK
DATE

煜倫股份有限公司