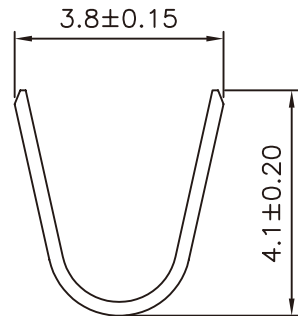
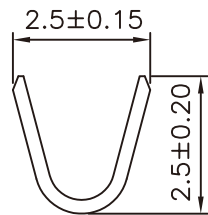


**TERMINAL** RoHS COMPLIANT

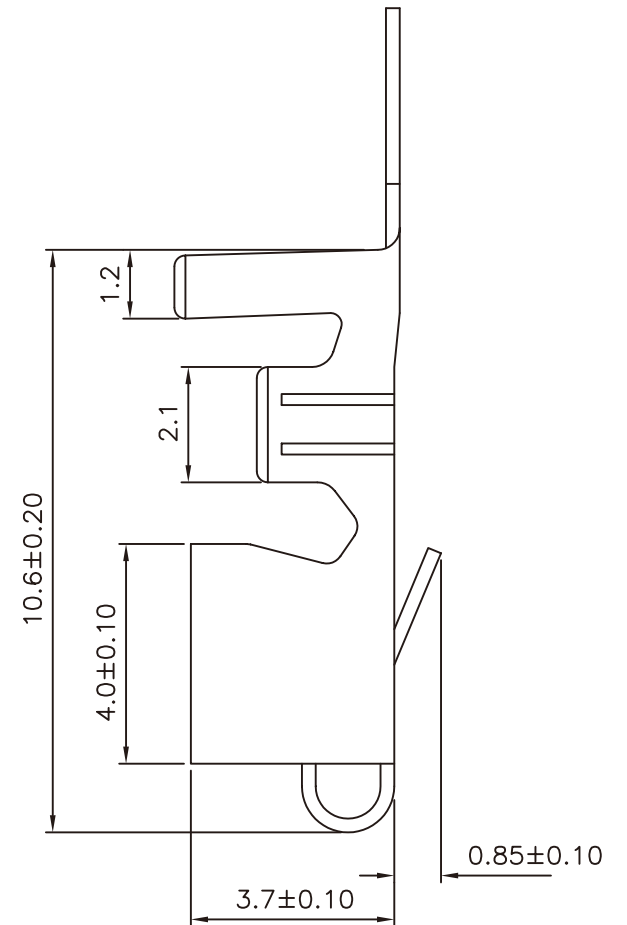
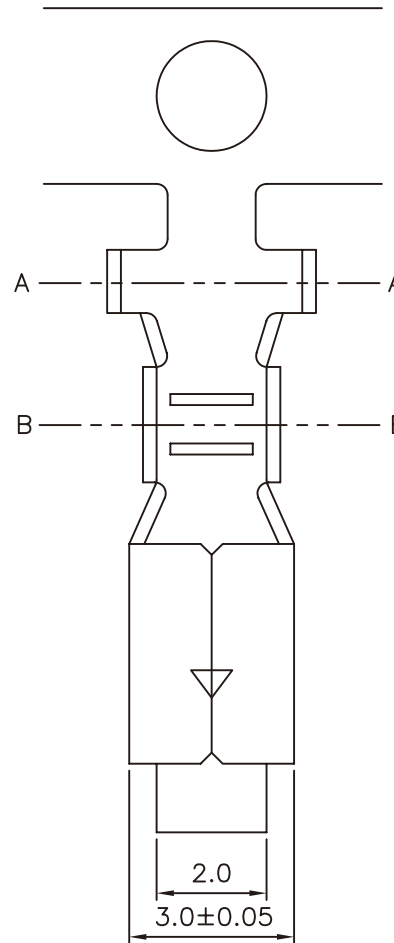
Applicable wires: AWG#18-22  
 Material: Brass  
 Finish: Tin/plated  
 Hardness: H  
 Thickness: 0.25mm  
 Q'ty: 4,000 pcs/roll



A-A



B-B



**RoHS Compliant**

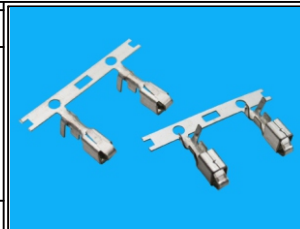
TOLERANCES ARE



**煜倫股份有限公司**

www.morethanall.com

DRAWING BY CY		X.± .X± .XX± .XXX± ANG±
CHECKED BY GENIUS		
UNIT / mm	SCALE 1 : 1	
DATE		
SIZE A4	PJECTION	



**ORDER INFORMATION**

VH70-T-18-LF  
 SERIES | LEADFREE  
 18 AWG  
 TERMINAL

DESCRIPTION: *PITCH 3.96mm TERMINAL*