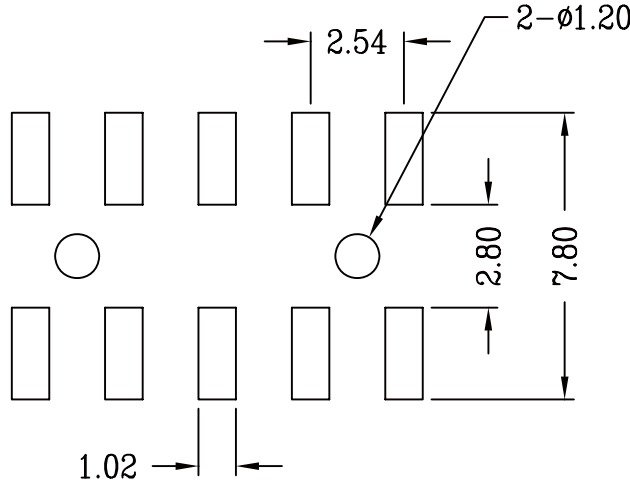
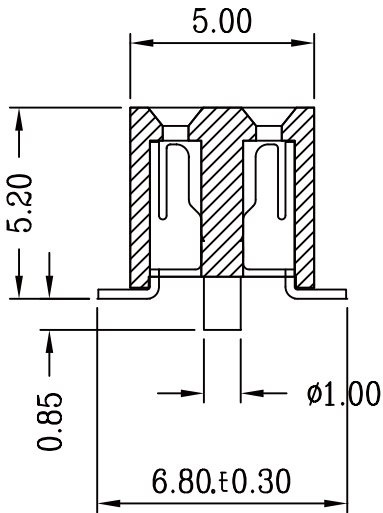
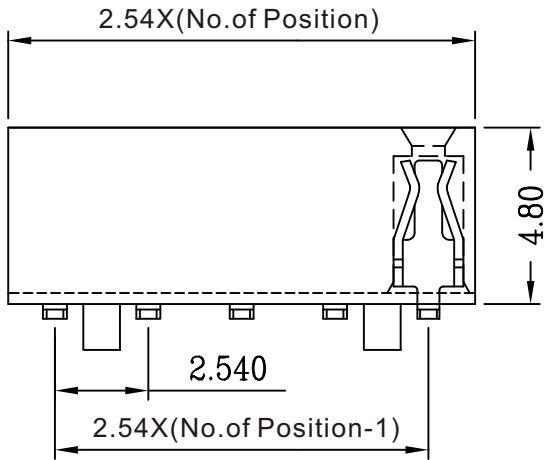
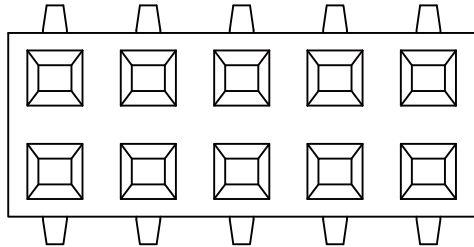


SPECIFICATIONS

CURRENT RATING: 3 AMP
 INSULATION RESISTANCE: 1000M OHMS MIN.
 DIELECTRIC WITHSTANDING: 600V AC/DC
 CONTACT RESISTANCE: 20m OHMS MAX.
 OPERATING TEMPERATURE: -25°C ~ +85°C

MATERIALS

CONTACT MATERIAL: PHOSPHOR BRONZE
 INSULATION MATERIAL: POLYESTER, UL 94V-0
 NYLON 6T



RECOMMENDED P.C.B LAYOUT

RoHS Compliant

TOLERANCES ARE



煜倫股份有限公司

www.morethanall.com

DRAWING BY CY

CHECKED BY GENIUS

UNIT / mm

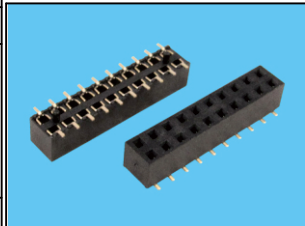
SCALE 1 : 1

DATE

SIZE A4

PJECTION

X. ±
 .X ± 0.35
 .XX ±
 .XXX ±
 ANG ±



ORDER INFORMATION

F-V52P-2Xxx-LF
 SERIES | LEADFREE
 180°SMT | 2X02:04WAY
 POST | 2X40:80WAY
 HIGH 5.2mm

DESCRIPTION: 2.54mm Female Socket Dual Row SMD type (H=5.2)