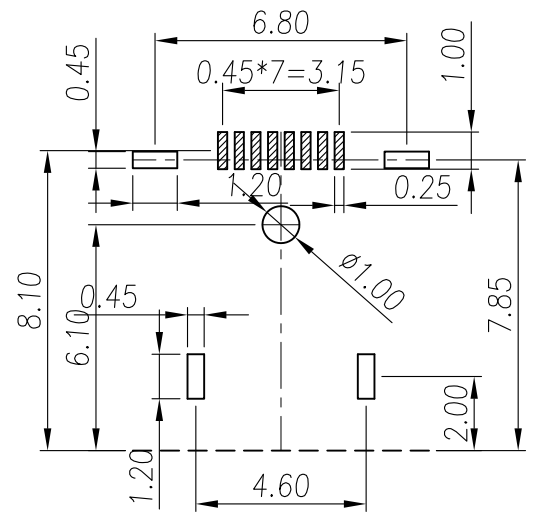
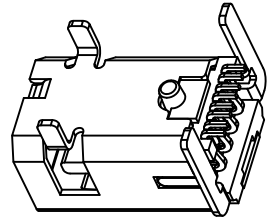
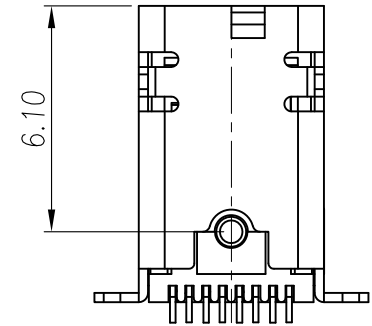
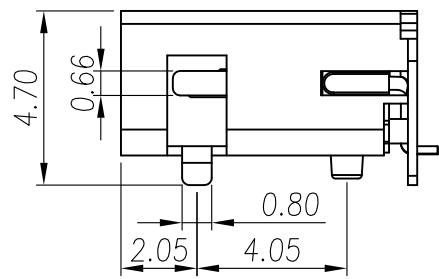
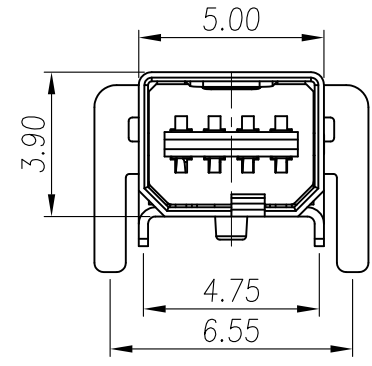


CUSTOMER DRAWING



Recommend P.C.B Layout.



MSB-SW-8C-LF  
LEADFREE

RoHS Compliant

1. MATERIAL :
  - 1-1. HOUSING : LCP UL94V-0 ; COLOR : BLACK
  - 1-2. CONTACT : PHOSPHOR BRONZE
  - 1-3. SHELL : BRASS
2. FINISH :
  - 2-1. CONTACT :
    - CONTACT AREA : GOLD 3u"
    - SOLDER AREA : BRIGHT TIN 120u"
    - UNDER PLATE : NICKEL
  - 2-2. SHELL : BRIGHT TIN 120u" OVER ALL

**MORETHANALL**  
CONNECTORS  
ASSEMBLIES

煜倫股份有限公司

PART NO. MSB-SW-8C		CHECKED BY CY	TOLERANCES ARE .X ± 0.2 .XX ± .XXX ± ANG	DESCRIPTION: MINI USB 8PIN (F) SMT 雙排
DWG NO. MSB-SW-8C				
FILE NO.		DRAWING BY		
UNIT / mm	SCALE 1:1	PROJECTION	AREA	REVISIONS
				HK
				DATE