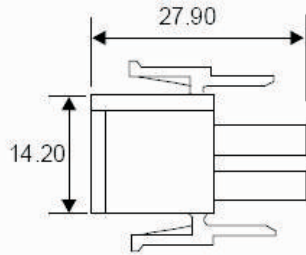
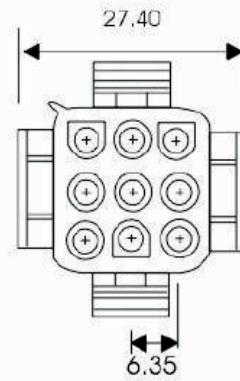


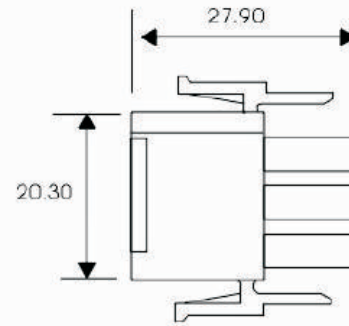
UL-S-3X02



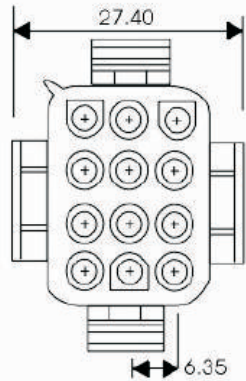
Pcs/lbag  
個數/袋  
500



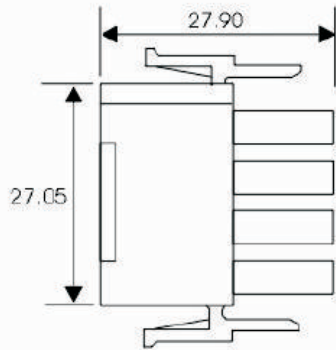
UL-S-3X03



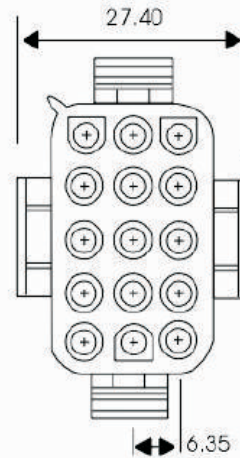
Pcs/lbag  
個數/袋  
500



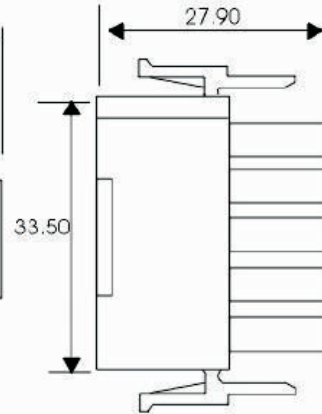
UL-S-3X04



Pcs/lbag  
個數/袋  
250



UL-S-3X05



Pcs/lbag  
個數/袋  
250

UL-S-3Xxx-LF  
LEADFREE  
RoHS Compliant

Number of Circuits	Dimensions				
	A	B	C	D	E
6	14.35	12.20	7.00	26.15	6.35
9	20.70	12.20	7.00	26.15	6.35
12	27.40	12.20	7.00	26.15	8.90
15	33.80	12.20	7.00	26.15	8.90

**MORETHANALL**  
CONNECTORS  
ASSEMBLIES

PART NO. UL-S-3Xxx

DWG NO. UL-S-3Xxx

FILE NO.

CHECKED BY CY

DRAWING BY

TOLERANCES ARE

.X ± 0.2  
.XX ±  
.XXX ±  
AWG

DESCRIPTION:

煜倫股份有限公司

UNIT / mm

SCALE 1:1

PROJECTION



AREA

REVISIONS

HK

DATE