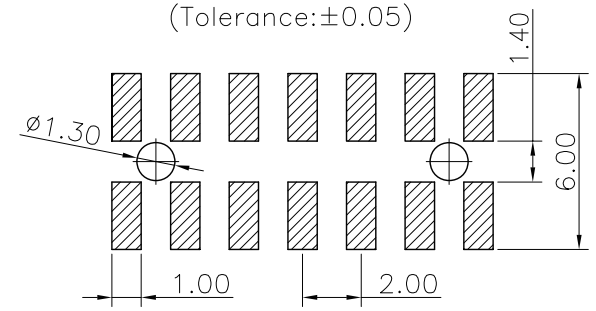


Specifications
 Current Rating: 2Amp
 Insulation Resistance: 1000MΩMin.
 Dielectric Withstanding Voltage: 500VAC
 Contact Resistance: 20mΩMax.
 Operating Temperature: -40°C to +105°C
 Materials
 Contact Material: Phosphor Bronze
 Insulator Material: High Temperature Thermoplastic, UL 94V-0 LCP or the equivalent material

Recommended P.C.Board Layout
 (Tolerance: ±0.05)



MORETHANALL
 PCB CONNECTORS
 Cable ASSEMBLIES

煜倫股份有限公司

www.morethanall.com

RoHS Compliant

DRAWING BY CY

CHECKED BY GENIUS

UNIT/mm

SCALE 1:1

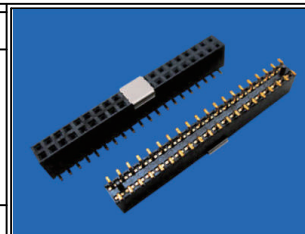
DATE

SIZE A4

P PROJECTION

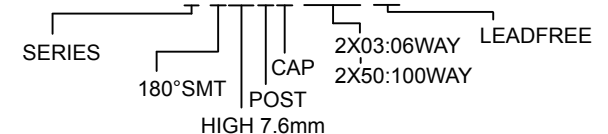
TOLERANCES ARE

X. ± 0.30
 .X ± 0.25
 .XX ± 0.15
 .XXX ± 0.10
 ANG ±



ORDER INFORMATION

S-V76PC-2Xxx-LF



DESCRIPTION: 2.00 FEMALE HEADER DUAL ROWS SMT TYPE CONNECTOR