

SPECIFICATIONS

Voltage rating:300V AC,DC

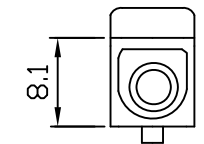
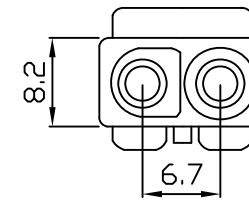
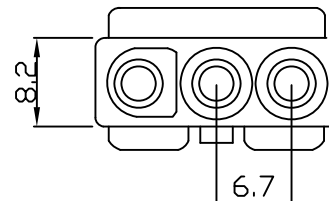
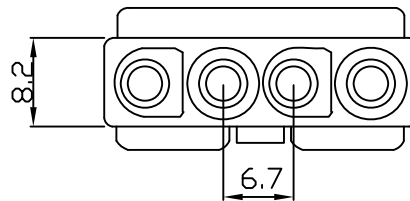
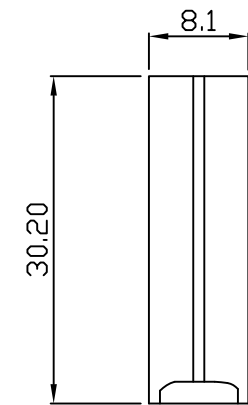
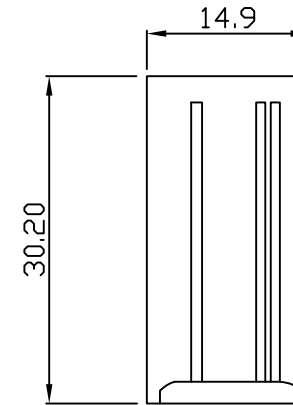
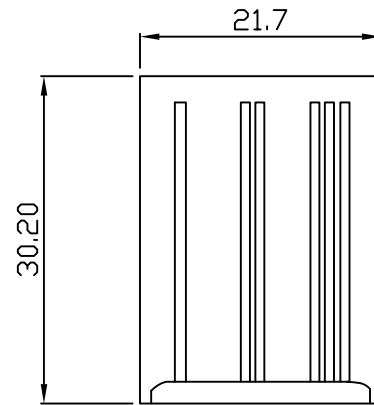
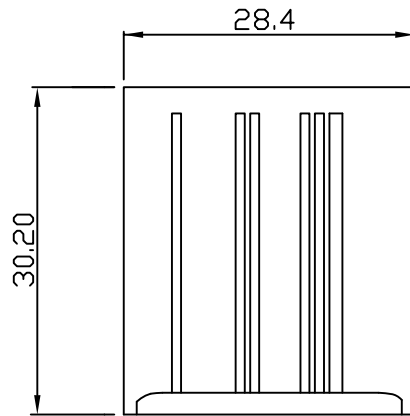
Current rating:12A,AC,DC

Withstanding voltage:1500V AC/minute

Insulation resistance:1000M ΩHM min

Temperature range:-25°C~+85°C

Material:UL94V-2 nylon 66



PWL-P-1X04

PWL-P-1X03

PWL-P-1X02

PWL-P-1X01

RoHS Compliant

TOLERANCES ARE

MORETHANALL
PCB CONNECTORS
Cable ASSEMBLIES
煜倫股份有限公司

DRAWING BY CY

CHECKED BY GENIUS

UNIT / mm

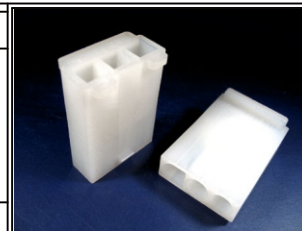
SCALE 1 : 1

DATE

SIZE A4

PPOJECTION

X.±
.X±
.XX±
.XXX±
ANG±



ORDER INFORMATION

PWL-P-1Xxx-LF
SERIES | LEADFREE
1X01:01 WAY
1X04:04 WAY
MALE HOUSING

DESCRIPTION:

www.morethanall.com