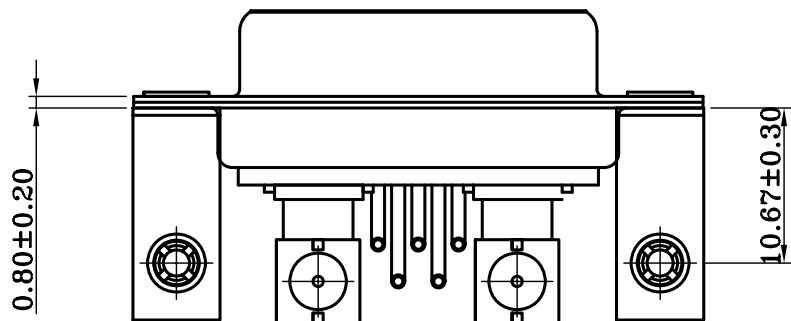


PCB LAYOUT



MATERIALS AND FINISH

SHELL : STEEL MATERIAL, FRONT SHELL TIN FINISHED
 BACK SHELL TIN FINISHED
 DIMPLES ON PLUG ONLY
 INSULATOR : PBT THERMOPLASTIC, 30% GLASS FILLED,
 UL 94V-0 RATED, BLACK COLOR
 SIGNAL CONTACT : COPPER ALLOY, FULL GOLD FLASH
 COAXIAL CONTACT : COPPER ALLOY, 15u" GOLD PLATED

ELECTRICAL CHARACTERISTICS

SIGNAL CONTACT CURRENT RATING : 7.5 AMPS
 SIGNAL CONTACT RESISTANCE : 2.7 mΩ MAX.
 COAXIAL CONTACT IMPEDANCE : 50 Ω
 DIELECTRIC WITHSTANDING VOLTAGE : 1000 V AC FOR 1 MINUTE
 INSULATION RESISTANCE : 10⁷MΩ MIN.
 TEMPERATURE RATING : -55°C ~ +125°C

RoHS Compliant

TOLERANCES ARE

MORETHANALL
 PCB CONNECTORS
 Cable ASSEMBLIES

煜倫股份有限公司

www.morethanall.com

DRAWING BY CY

CHECKED BY GENIUS

UNIT / mm

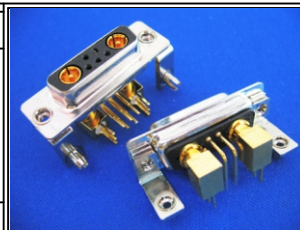
SCALE 1 : 1

DATE

SIZE A4

PPOJECTION

X. ±
 .X ±
 .XX ±
 .XXX ±
 ANG ±



ORDER INFORMATION

DXR-S50ZN-07W2-LF
 SERIES | | | 07W2 LEADFREE
 NUT
 CLIP
 50 OHM
 FEMALE

DESCRIPTION: