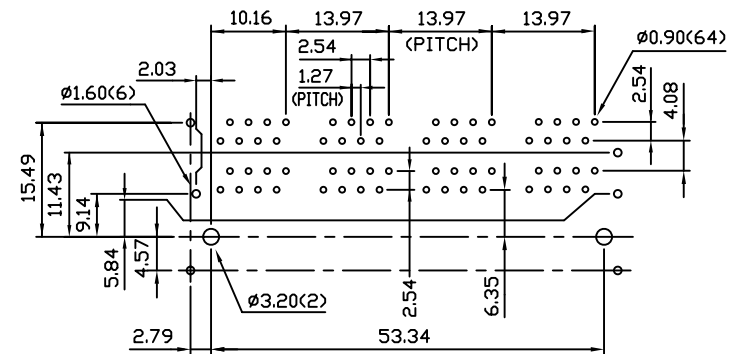
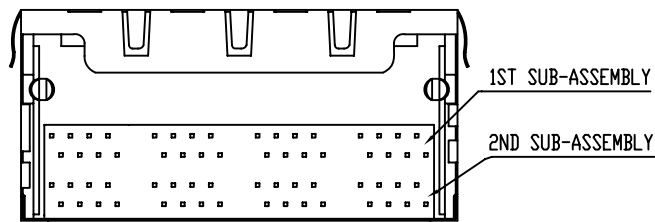
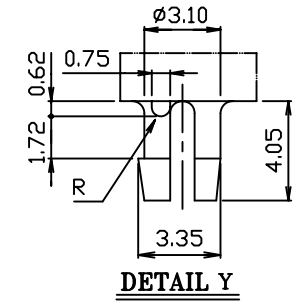
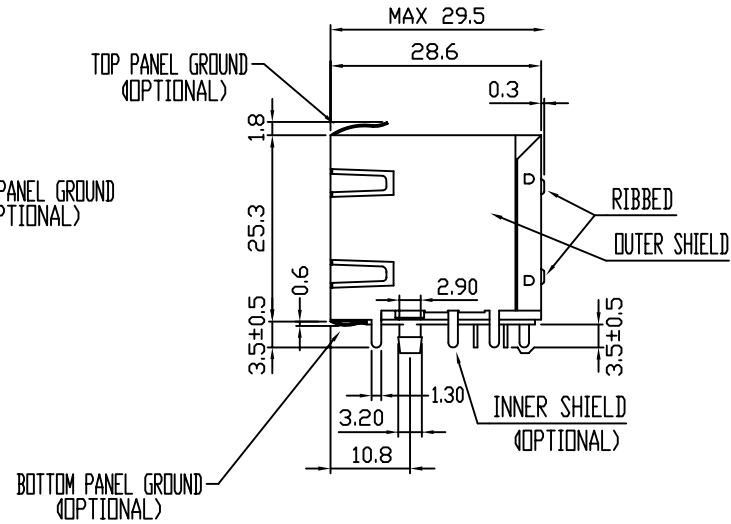
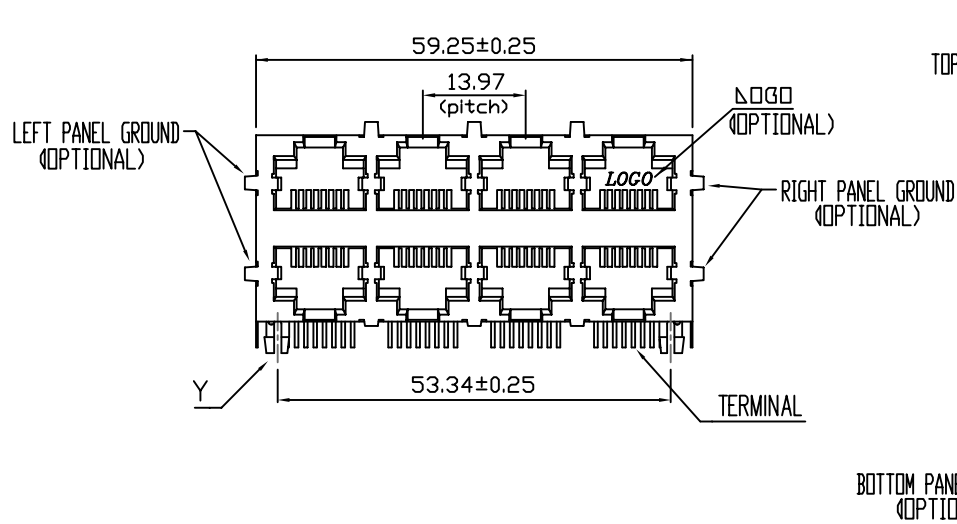


MATERIAL: HOUSING-PBT POLYESTER UL-94V-0  
 MIXED GLASS FIBER.  
 STANDARD OD/LOR-BLACK  
 CONTACTS-0.35mm THICK PHOS-BRONZE  
 PLATED WITH HARD GOLD AND  
 TIN/LEAD IN SOLDER AREA.  
 SHIELD-0.25mm THICK COPPER ALLOY,  
 PLATED WITH NICKEL.  
 CAVITY CONFIRMS TO FCC RULES AND REGULATIONS  
 PART 68,SUBPART F.



PCB LAYOUT

RoHS Compliant

TOLERANCES ARE

**MORETHANALL**  
 PCB CONNECTORS  
 Cable ASSEMBLIES

DRAWING BY CY

CHECKED BY GENIUS

UNIT / mm

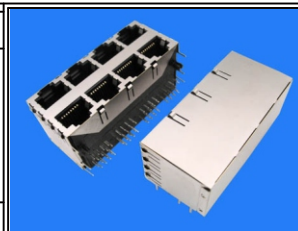
SCALE 1 : 1

DATE

SIZE A4

PJECTION

X, ±  
 .X ±  
 .XX ±  
 .XXX ±  
 ANG ±



ORDER INFORMATION

MJF25B4-KF06A4-0808-LF

SERIES

LEADFREE

8P8C

FRONT TAB 4.57mm

BLACK

06u" GOLD

FULL SPRING

煜倫股份有限公司

www.morethanall.com

DESCRIPTION: 2X4 8POSITIONS RIGHT ANGLE SHIELDED PCB JACK