

**SPECIFICATIONS**

CURRENT RATING: 3 AMP

INSULATION RESISTANCE: 1000M OHMS MIN.

DIELECTRIC WITHSTANDING: 600V AC/DC

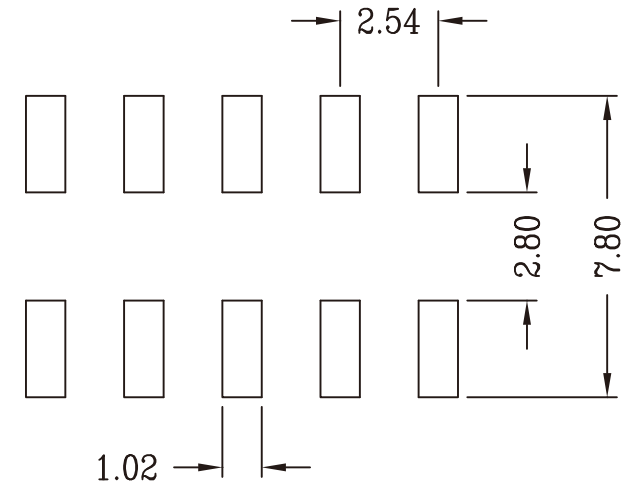
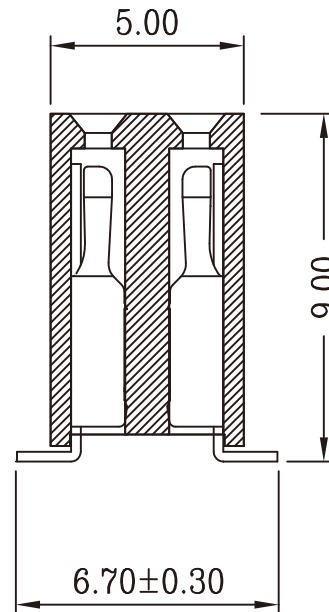
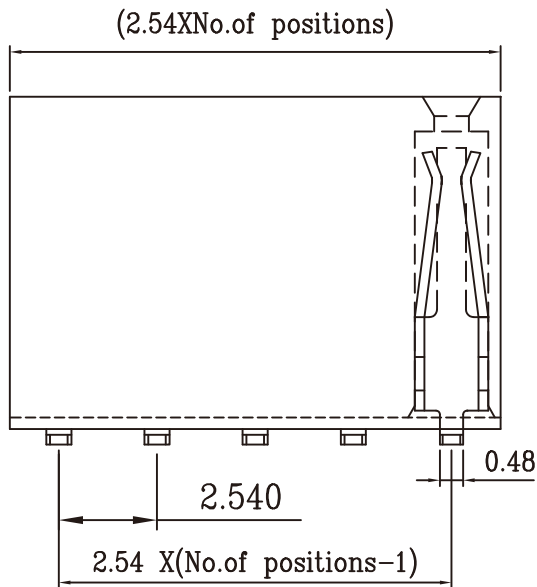
CONTACT RESISTANCE: 20m OHMS MAX.

OPERATING TEMPERATURE: -40° ~ +105°

**MATERIALS**

CONTACT MATERIAL: PHOSPHOR BRONZE

INSULATION MATERIAL: POLYESTER, UL 94V-0  
 NYLON 6T



RECOMMENDED P.C.B LAYOUT

**RoHS Compliant**

TOLERANCES ARE



煜倫股份有限公司

www.morethanall.com

DRAWING BY CY

CHECKED BY GENIUS

UNIT / mm

SCALE 1 : 1

DATE

SIZE A4

X, ±

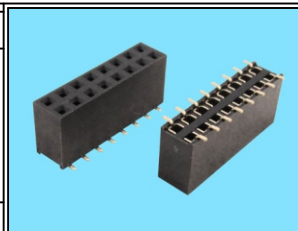
.X ±

.XX ±

.XXX ±

ANG ±

PPOJECTION



**ORDER INFORMATION**

F-V90X-2Xxx-LF  
 SERIES | LEADFREE  
 2X02:04 WAY  
 2X40:80 WAY  
 180°SMT NON POST  
 HIGH 9.0mm

DESCRIPTION: 2.54mm Female Socket Dual Row SMD type (H=9.0)