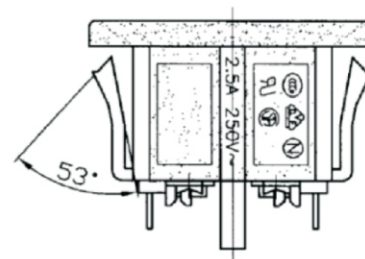
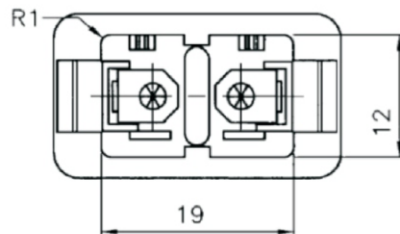
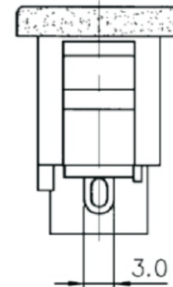
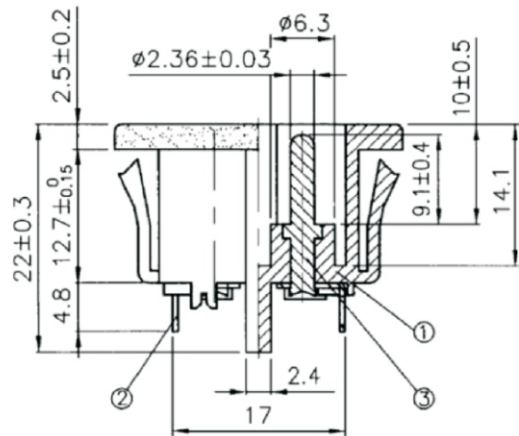


PANEL CUTOUT THICKNESS 0.6mm~2.0mm

Rating: 2.5A 250V AC  
 Approvals: UL/CSA/VDE/  
 NEMKO/CCC



RoHS Compliant

TOLERANCES ARE

**MORETHANALL**  
 PCB CONNECTORS  
 Cable ASSEMBLIES

DRAWING BY CY

X.±

CHECKED BY GENIUS

.X±

UNIT / mm

SCALE 1:1

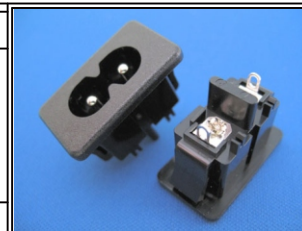
.XXX±

DATE

ANG±

SIZE A4

PJECTION



ORDER INFORMATION

ACC-PSVPA-02-LF  
 SERIES | LEADFREE  
 | 02 WAY  
 | PANEL FRONT  
 | VERTICAL PIN  
 | SOLDER  
 MALE

煜倫股份有限公司

www.morethanall.com

DESCRIPTION: