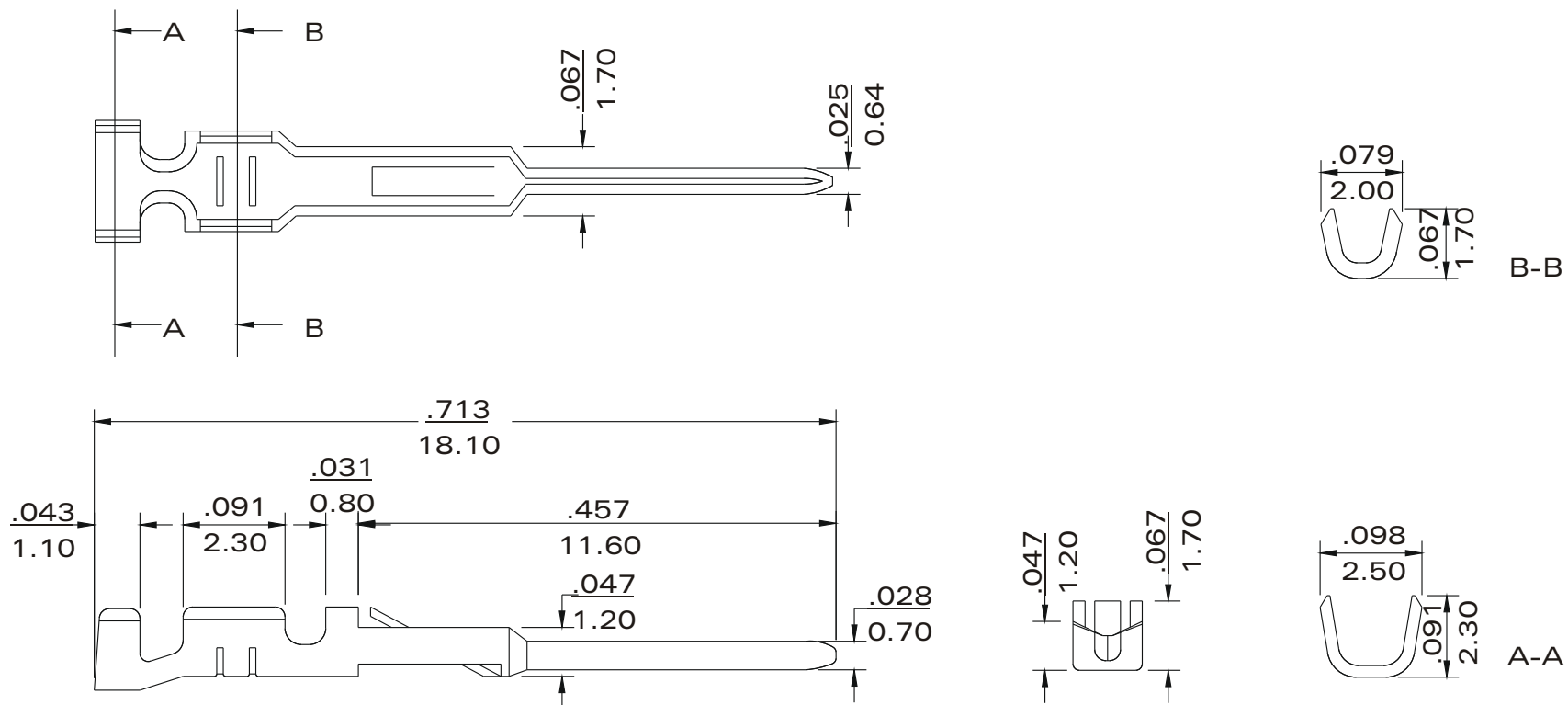


- \* Material : Phosphor bronze or brass
- \* Current rating : 3A, AC/DC
- \* Voltage rating : 250V, AC/DC
- \* Applicable wire AWG #26-#20

**EI-M-20-LF**  
LEADFREE  
**RoHS Compliant**

inch  
mm



**MORETHANALL**  
CONNECTORS  
ASSEMBLIES

PART NO. **EI-M-20**

DWG NO. **EI-M-20**

FILE NO.

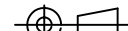
UNIT / mm

SCALE 1:1

CHECKED BY CY

DRAWING BY

PROJECTION



TOLERANCES ARE

.X ± 0.2

.XX ±

.XXX ±

AWG

DESCRIPTION:

AREA

REVISIONS

HK

DATE

煜倫股份有限公司