

# SPECIFICATIONS

## ELECTRICAL CHARACTERISTICS:

Contact Current Rating: 3 Amperes.  
 Dielectric Withstanding Voltage: AC 1000/60sec.r.m.s.  
 Insulation Resistance: 5000 Megohms Minimum at DC 500V.  
 Contact Resistance: 25 Milliohms Maximum.  
 Operating Temperature: -55°C to +105°C.

## MECHANICAL CHARACTERISTICS:

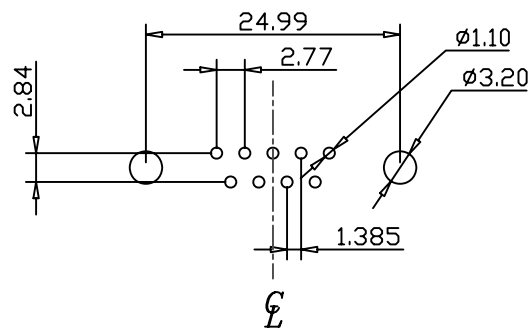
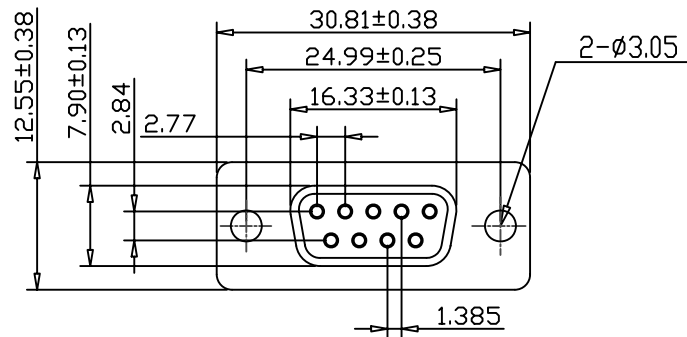
Contact Insertion Force: 341 g. Maximum.  
 Contact Separation Force: 21 g. Minimum.

## MATERIALS:

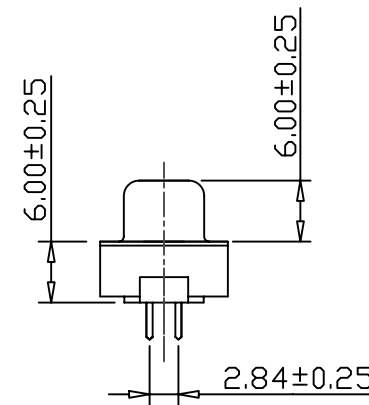
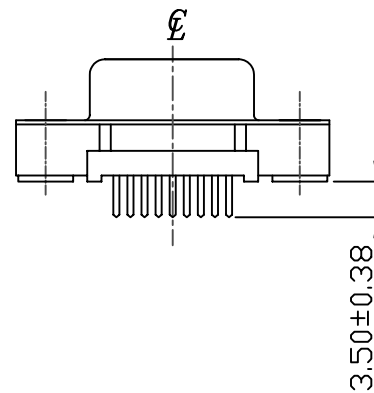
Contacts: Brass.  
 Insulator: PBT UL 94V-0 Rated.  
 Shell: Cold Roller Steel.

## FINISHES:

Contact: Gold Flash.  
 Shell: Nickel Plated.



RECOMMENDED P.C.B LAYOUT



DDM-S-09-LF

LEADFREE

RoHS Compliant



PART NO. DDM-S-09

DWG NO. DDM-S-09

CHECKED BY CY

TOLERANCES ARE

DESCRIPTION: D-SUB 9 FEMALE STRAIGHT DIP MOUNT

FILE NO.

DRAWING BY

.X ± 0.2  
.XX ±  
.XXX ±  
AWG

AREA REVISIONS HK DATE

UNIT / mm

SCALE 1:1

PROJECTION

煜倫股份有限公司